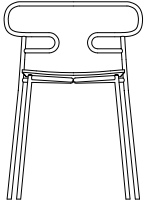


GENOA

Design: Cesare Ehr

Chair in metal base and wood seat

0047-MET



DIMENSION

Height	73
Width	51
Depth	51
Sitting Height	47

FINISHING

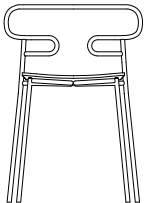
Frame	Metal
Seat	Beech Multilayer - Thickness 11 mm

PACKING

Height	98
Width	51
Depth	68
Pieces for Pckg	2
Gross Weight cu.m.	12 0,33

Chair in metal base and padded seat

0047-MET-IM



DIMENSION

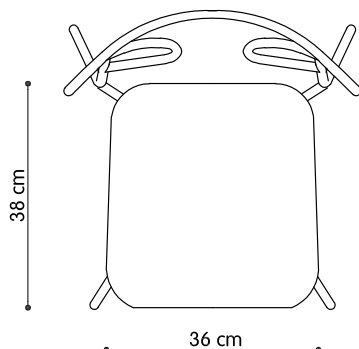
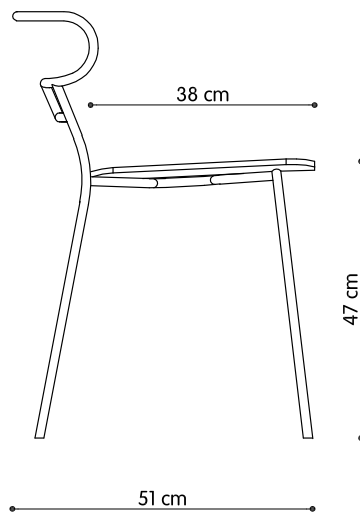
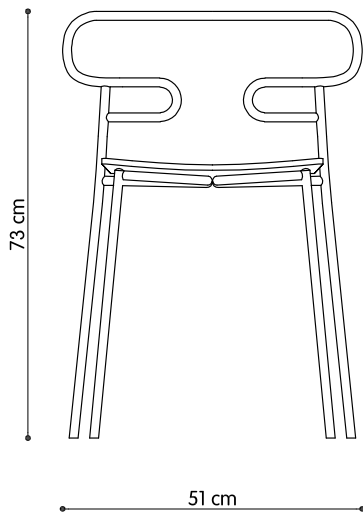
Height	73
Width	51
Depth	51
Sitting Height	47

FINISHING

Frame	Metal
Seat	Beech Multilayer - Thickness 11 mm
Padding Mat.	Foam Robber - Thickness 2 cm Density Rubber 75 Kg/cu.m. - Fireproof

PACKING

Height	98
Width	51
Depth	68
Pieces for Pckg	2
Gross Weight cu.m.	12 0,33

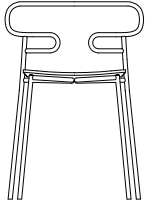


GENOA

Design: Cesare Ehr

Chair in metal frame with PU seat for indoor and outdoor

0047-MET-PU



DIMENSION

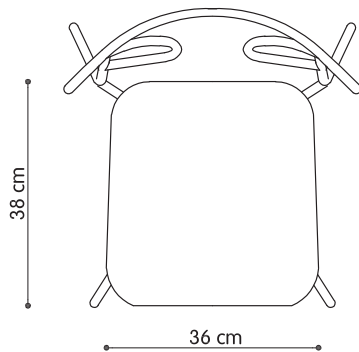
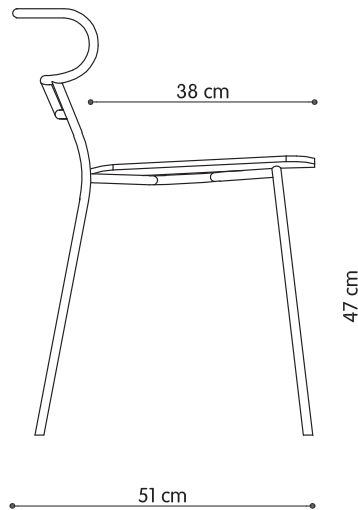
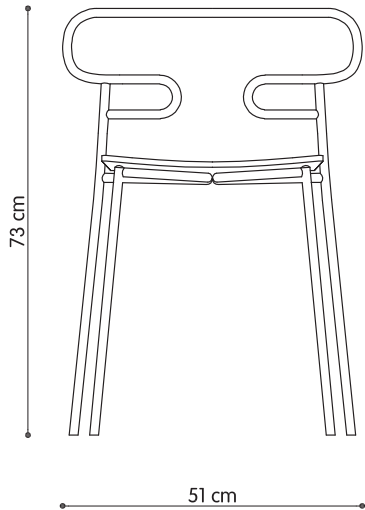
Height	73
Width	51
Depth	51
Sitting Height	47

FINISHING

Frame	Metal
Seat	Seat with insert in Multilayer 8 mm thick covered in polyurethane integral painted in mass

PACKING

Height	98
Width	51
Depth	68
Pieces for Pckg	2
Gross Weight cu.m.	12 0,33



Version OUTDOOR with cathoporesis treatment.

Maintenance

Integral polyurethane: for cleaning, use a soft cloth soaked in water and soap, or neutral detergents diluted in water. Avoid using products containing solvents or abrasives in general.