

# Shila P

## technical specification



.mdd

**MDD has a leading position among manufacturers of office furniture with many awards that prove quality and continuously increase demand for its products.**

The realities of today's market require constant quality improvement at all levels of modern organization. This applies in particular to customer service, marketing, quality of products and also to quality of processes within the company. Partnership relations among employees and with business partners form a base of economic growth and success of the company.

Constant investments in innovative machinery park, optimization of management systems and an expansion of production halls allow to minimize the lead times for the product of the highest quality.

**More than twenty years of experience in office furniture industry come with reference from a long list of companies and institutions to show their appreciation for an efficient and comprehensive service.**

**MDD is highly aware of the environment.**

Being located in the forest region with lake by its side, MDD takes the nature seriously and invests constantly in a modern and energy-efficient solutions to preserve the local life. Company puts emphasis on waste segregation and recycling. MDD has been awarded for the exceptional care and involvement in waste disposal. All materials used are environmentally friendly and enjoy a high 95 % rate of being recycled.



**General informations:**

**Warranty:**

MDD products - **5 years.**

Electrical components and fabric - **2 years.**

**Certificate - MFC:**



**Certificate - fabric:**



**Assembly:**

the product comes pre-assembled

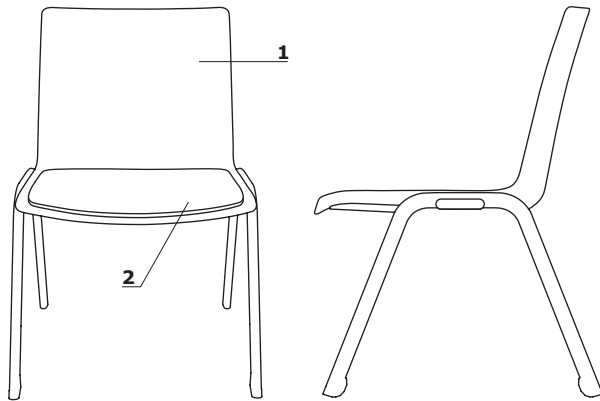
**Packing:**

cardboard

Shila P	Date of preparation 06.12.2019	The data contained in this document is valid in the day of its preparation. Change of the product, as long as it does not affect the basic features of it, does not require consistent updates of the document.	page 2/10 <b>general informations</b>
---------	-----------------------------------	---	--

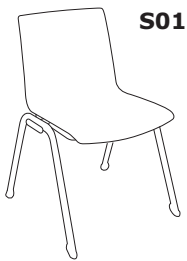
Technical specification

- 1. Seat - polyurethane
- 2. **OPTION WITH EXTRA CHARGE** - seat pad of cut foam, density of 30 kg/m<sup>3</sup>, upholstered

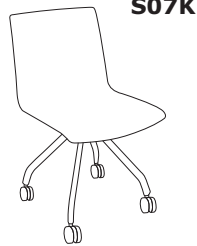


- max. load 120 kg

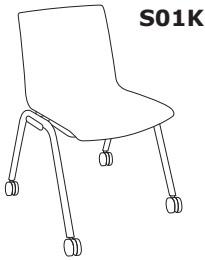
Bases



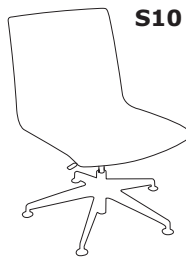
S01



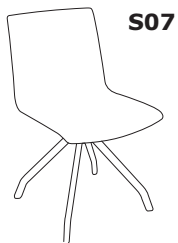
S07K



S01K



S10



S07



S10K

**Base S01:**

- 4 - legged, metal, powder coated
- legs 30 × 18 mm, wall thickness 1,5 mm; CNC - bent
- finished with polypropylene feet (PP+30GF) in frame colour
- side cap, polypropylene, colour: black
- **stacked** - max. 12 pieces; the same applies for the version with armrests and the writing pad

**Base S01K:**

- 4 - legged, metal, powder coated
- legs 30 × 18 mm, wall thickness 1,5 mm; CNC - bent
- finished with castors Ø55 mm for soft floors;
- **OPTION WITH EXTRA CHARGE** - castors for hard floors
- side cap, polypropylene, colour: black

**Base S07:**

- 4 - star, metal, powder coated
- legs 30 × 18 mm, wall thickness 1,5 mm; CNC - bent
- finished with polypropylene feet (PP+30GF), colour: black

**Base S07K:**

- 4 - star, metal, powder coated
- legs 30 × 18 mm, wall thickness 1,5 mm; CNC - bent
- finished with castors Ø55 mm for soft floors;
- **OPTION WITH EXTRA CHARGE** - castors for hard floors

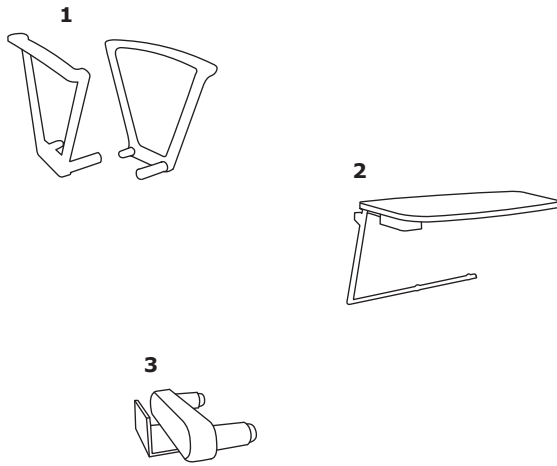
**Base S10:**

- base 5 - star, polypropylene, Ø=680 mm, h=124 mm
- polypropylene feet Ø=50 mm, h=32
- gas spring, steel, colour: black, adjustment range 130 mm (385 - 515 mm)

**Base S10K:**

- base 5 - star, polypropylene, Ø=680 mm, h=124 mm
- finished with castors Ø55 mm for soft floors;
- **OPTION WITH EXTRA CHARGE** - castors for hard floors
- gas spring, steel, colour: black, adjustment range 130 mm (385 - 515 mm)

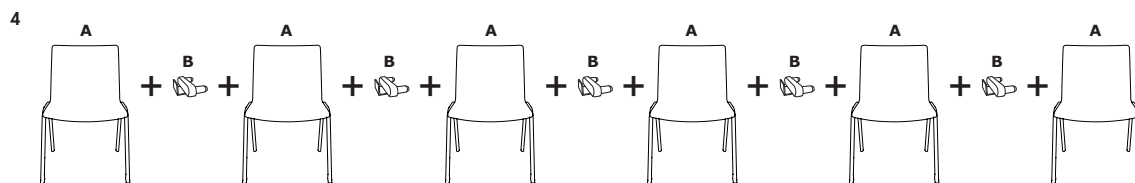
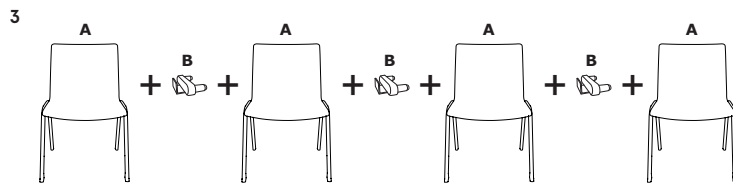
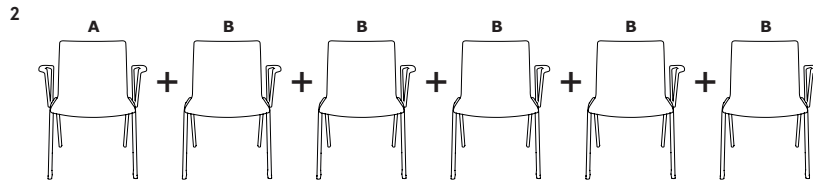
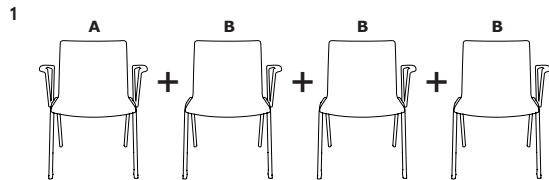
Optional components



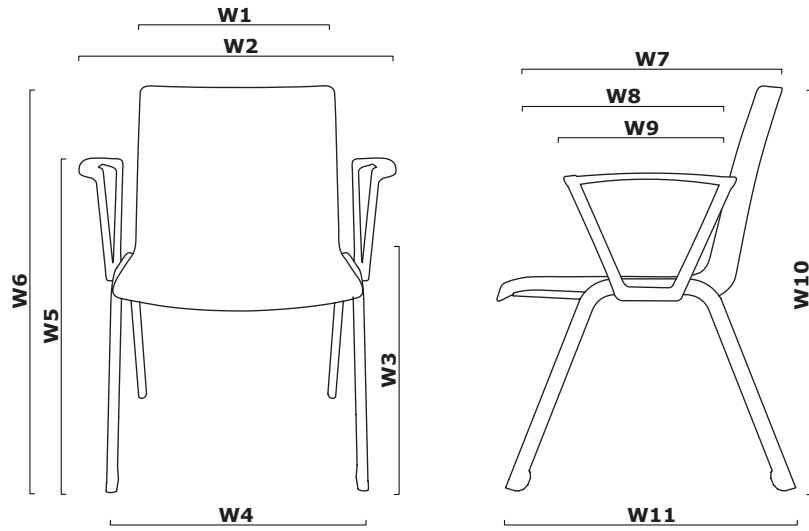
- 1. **Armrests** - polypropylene (PA+30GF), colour: black
- 2. **Writing tablet** - plywood varnished, colour: M115 - black semi-matt
- 3. **Connecting element** - allow for setting chair in a row, polypropylen (PP+15GF), metal, colour: black; only with S01 base chairs

Configuration examples of setting chairs with armrests in a row

- 1. **Row of 4 chairs** - chair with armrests set (right+left) (A) + 3 chairs with left armrests (B)
- 2. **Row of 6 chairs** - chair with armrests set (right+left) (A) + 5 chairs with left armrests (B)
- 3. **Row of 4 chairs** - chair without armrests set (A) + 3 connecting elements for setting chairs in a row (B)
- 4. **Row of 6 chairs** - chair without armrests set (A) + 5 connecting elements for setting chairs in a row (B)



Dimensions



W1 - 445 | W2 - 590 | W3 - 440 | W4 - 495 | W5 - 665 | W6 - 815 | W7 - 520 | W8 - 450 | W9 - 315 | W10 - 815 | W11 - 590 |

SHILAP - bases



**S01**  
8 kg



**S01K**  
8 kg



**S07**  
8 kg



**S07K**  
8 kg

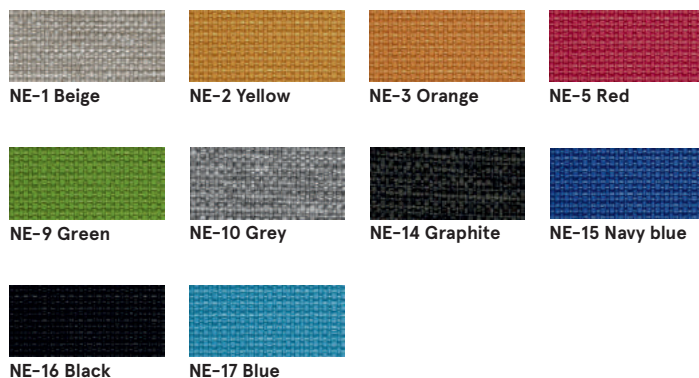


**S10**  
8 kg



**S10K**  
8 kg

## Upholstery seat pad - Fabric Nemo



### Technical data:

<b>Material</b>	polyester 100%
<b>Fabric weight</b>	366g/m2
<b>Abrasion resistance rubs</b>	PN_EN ISO 12947 - 2:2 100,000
<b>Pilling resistance</b>	scale 1-8, max. 8, PN-EN ISO 105 - B02 (3-4)
<b>Colour fastness to light</b>	scale 1-5, max. 5, PN-EN 1021 - 2,
<b>Colour fastness to rubbing</b>	PN-EN 1021 - 1 skcale 1-5, max. 5, EN ISO 105x12 (wet/dry) 4-5

## Upholstery seat pad - Fabric Medley - second price group



### Technical data:

<b>Material</b>	polyester 100%
<b>Fabric weight</b>	510 g/lm (16.45 oz/lin.yd.)
<b>Abrasion resistance rubs</b>	BS EN ISO 12947-2, 75,000 cykli Martindale
<b>Pilling resistance</b>	scale 1-5, max. 5, EN ISO 12945-2 (4)
<b>Colour fastness to light</b>	scale 1-8, max. 8, EN ISO 105-B02 (5-7)
<b>Colour fastness to rubbing</b>	scale 1-5, max. 5, EN ISO 105x12 (wet/dry (4-5/4-5))
<b>Acoustic test sound absorption</b>	ISO 354
<b>Flammability</b>	BS EN 1021-1 (cigarette) BS 476 Part 7, Class 2 Class Uno UNI 9174 - UNI 8457 CA TB 117-2013 ASTM E 84 Class I

## Upholstery seat pad - Fabric Atlantic \* - second price group



### Technical data:

<b>Material</b>	polyester 100%
<b>Fabric weight</b>	530 g/lm (17.09 oz/lin.yd.)
<b>Abrasion resistance rubs</b>	BS EN ISO 12947-2, 110,000 Martindale cycles
<b>Pilling resistance</b>	scale 1-5, max. 5, EN ISO 12945-2 (4-5)
<b>Colour fastness to light</b>	scale 1-8, max. 8, EN ISO 105-B02 (5-7)
<b>Colour fastness to rubbing</b>	scale 1-5, max. 5, EN ISO 105x12 (wet/dry)
<b>Flammability</b>	CA TB 117-2013 ASTM E 84 Class I BS EN 1021-2 (match) BS EN 1021-1 (cigarette)

\* There is a possibility of ordering the product in full colour spectrum of Atlantic range, as per Gabriel's pattern book, within 8 weeks

**Upholstery seat pad – Fabric Vita – second price group**



**Technical data:**

**Material** Surface: 98,5% PVC, 1,5% PU  
Substrate: 50% polyester, 50% Cotton

**Fabric weight** 850g/m2 ± 10% (1190G/lin. m ± 10%)

**Abrasion resistance rubs** BS EN ISO 5470-2, 100,000 Martindale cycles

**Colour fastness to light** 6 (ISO 105 – B02)

**Colour fastness to rubbing** wet: 4, dry: 4 (ISO 105 – X12)

**Flammability** BS EN 1021 – (cigarette)  
BS EN 1021 – 2 (match)  
BS 5852 – (Ignition Source 5)  
BS 7176 – (Medium Hazard)

**Flexes** BS EN ISO 7854 – Method B,  
400.000 Flexing cycles

**Anti-microblal / Anti-fungal** AATCC 147

**Upholstery seat pad – Fabric River – second price group**



**Technical data:**

**Material** polyester 100%

**Fabric weight** 300g/m2 (+/- 5%)

**Abrasion resistance rubs** 100,000 Martindale cycles (EN ISO 12947-1,2)

**Pilling resistance** EN ISO 12945-2 (5)

**Colour fastness to light** 4 (EN ISO 105-B02)

**Colour fastness to rubbing** dry: 4-5, wet: 3 (EN ISO 105-x12)

**Flammability** BS 5852: Part 1,  
Ignition Source 0 (cigarette)  
BS 5852: Part 1,  
Ignition Source 1 (match)  
En1021 – 2

www.mdd.eu

**Upholstery seat pad – Fabric Xtreme – third price group**



**Technical data:**

**Material** 100% Trevira Clame (CS)  
100% Recycling (YS)  
Flame Retardant polyester.  
Non metallic dyestuffs.

**Fabric weight** 310 g/m2 ±5% (435g/lin.m ±5%)

**Abrasion resistance rubs** 60,000 Martindale cycles (CS)  
100,000 Martindale cycles (YS)

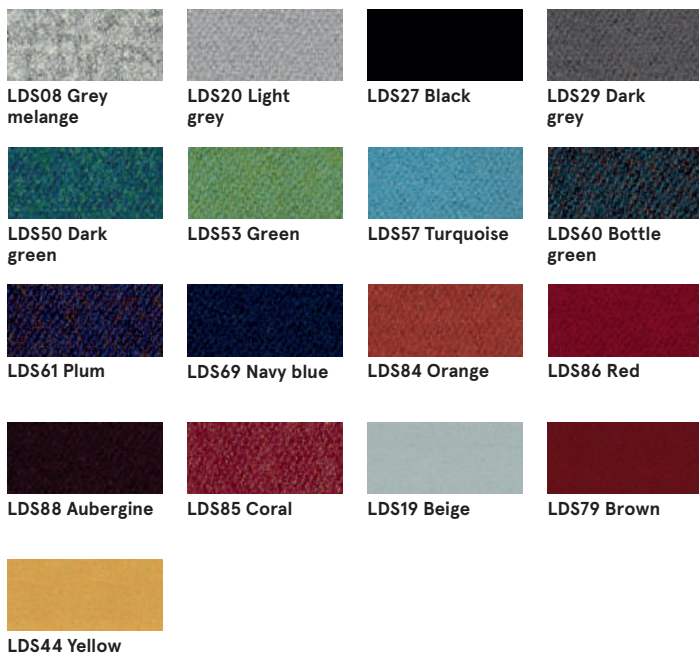
**Colour fastness to light** 6 (ISO 105 – B02)

**Colour fastness to rubbing** wet: 4, dry: 4 (ISO 105 – X12)

**Flammability** EN 1021 – 1 (cigarette),  
EN 1021 – 2 (match)  
BS 7176 Low Hazard,  
NF P92-507 M1, DIN 4102 B1,  
UNI 9175 Class 1 IM, UNI 8456,  
UNI 9174 & UNI 9177 Classe Uno,  
ÖNORM B 3825 & A 3800-1  
NF D 60-013



### Fabric Synergy - third price group



**Technical data:**

**Material** 95% Virgin Wool, 5% Poliamid  
**Fabric weight** 400g/m2 ±5% (560 g/lin.m ±5%)  
**Abrasion resistance rubs** Independently certified  
 ≥100,000 Martindale cycles  
**Colour fastness to light** 5 (ISO 105 - B02)  
**Colour fastness to rubbing** ISO 105 - X12 - wet: 4, dry: 4  
**Flammability** EN 1021 - 1 (cigarette,  
 EN 1021 - 2 (match),  
 BS 7176 Low Hazard,  
 UNI 9175 Classe 1 IM,  
 ÖNORM B 3825 & A 3800-1

### Fabric Atlas - fourth price group



**Technical data:**

**Material** 90% new wool, 10% nylon  
**Fabric weight** 286g/m2, 400g/lm  
**Abrasion resistance rubs** 100,000 cykli Martindale, EN ISO 12947  
**Colour fastness to light** ISO 105 B02: 6-7  
**Colour fastness to rubbing** ISO 105-X12:2001, (wet/dry) 4-5/4-5  
**Flammability** BS EN 1021-2 Match, BS EN 1021-1 Cigarette,  
 BS 5 5852 Crib 5, BS 5852 ignition source 3,  
 BS 5852 Part 1, NF D 60 013, UNI 9175 1IM,  
 US Cal. Bull. 117-2013

### Fabric Field2 - fourth price group



**Technical data:**

**Material** 100% Trevira CS  
**Fabric weight** 321g/m2, 450g/lm  
**Abrasion resistance rubs** 100,000 cykli Martindale, EN ISO 12947  
**Colour fastness to light** ISO 105 B02: 5-7  
**Flammability** BS EN 1021-2 Match, BS EN 1021-1 Cigarette,  
 BS 5 5852 Crib 5, DIN 4102 B1 FAR 25.853,  
 UNI 9177 classe 1, US Cal. Bull. 117-2013

**Seat - polypropylene**



Light grey  
RAL7044



Dark grey  
RAL7042



Dark green  
RAL6012



Burgundy  
RAL3007



Red  
RAL3016



Pearl white  
RAL1013



Black  
RAL9005



**Base S01, S01K, S07, S07K**



M010 Light grey  
semi-matt RAL7044



M011 Dark grey  
semi-matt RAL7042



M012 Dark green  
semi-matt RAL6012



M013 Burgundy  
semi-matt RAL3007



M014 Red  
semi-matt RAL3016



M016 Pearl white  
semi-matt RAL1013



M115 Black  
semi-matt RAL9005

**Base S10, S10K; armrest, writing tablet, castors**



Black