

PEDRALI®

TONDA 4533

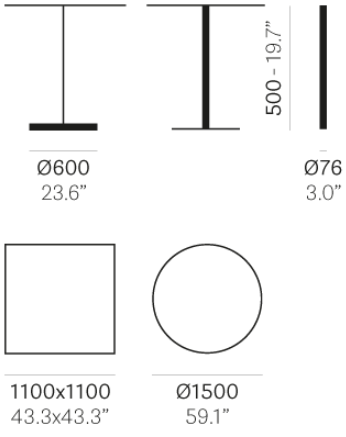


DESIGN:
PEDRALI R&D

The circle, classic and always current archetype, gives life to Tonda, practical and functional table collection. Coffee table with sand-blasted cast-iron base and steel column, available combined with tops of different sizes and finishes.

INFORMATION REQUEST





POWDER COATED FRAME (VIEW FINISHES AND MATERIALS)

COLUMN FINISHES



FINISHES AND MATERIALS

PEDRALI[®]

TONDA 4154

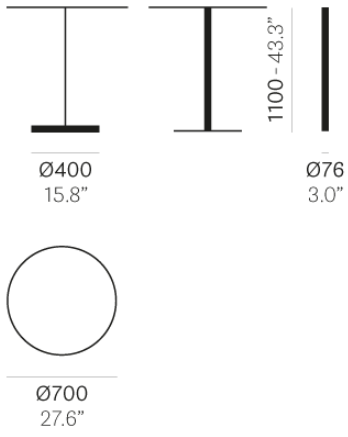


DESIGN:
PEDRALI R&D

The circle, classic and always current archetype, gives life to Tonda, practical and functional table collection. Poseur table with sand-blasted cast-iron base and and steel or oak wood column, available combined with round tops of different sizes and finishes.

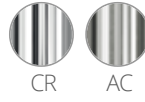
INFORMATION REQUEST





POWDER COATED FRAME (VIEW FINISHES AND MATERIALS)

FRAME FINISHES



FINISHES AND MATERIALS

PEDRALI®

TONDA 4153

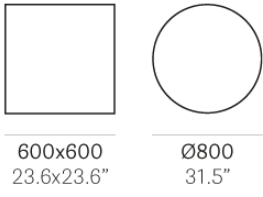
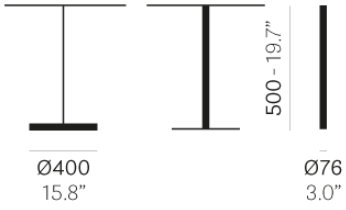


DESIGN:
PEDRALI R&D

The circle, classic and always current archetype, gives life to Tonda, practical and functional table collection. Coffee table with sand-blasted cast-iron base and steel or oak wood column, available combined with tops of different sizes and finishes.

INFORMATION REQUEST





FRAME FINISHES



FINISHES AND MATERIALS

PEDRALI®

TONDA 4150-4151

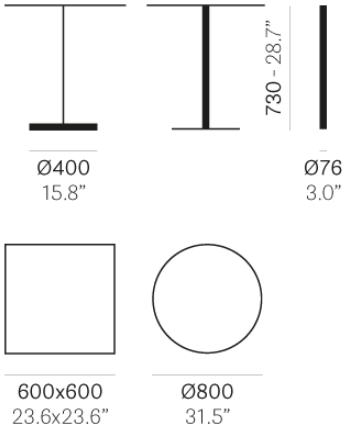


DESIGN:
PEDRALI R&D

The circle, classic and always current archetype, gives life to Tonda, practical and functional table collection. Table with sand-blasted cast-iron base and steel or oak wood column, available combined with tops of different sizes and finishes.

INFORMATION REQUEST





POWDER COATED FRAME (VIEW FINISHES AND MATERIALS)

FRAME FINISHES



FINISHES AND MATERIALS

PEDRALI[®]

TONDA 4703

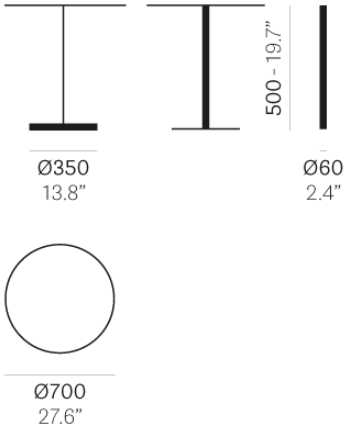


DESIGN:
PEDRALI R&D

The circle, classic and always current archetype, gives life to Tonda, practical and functional table collection. Coffee table with sand-blasted cast-iron base and steel column, available combined with round tops of different sizes and finishes.

INFORMATION REQUEST





POWDER COATED FRAME (VIEW FINISHES AND MATERIALS)

COLUMN FNISHES



PEDRALI[®]

TONDA 4700

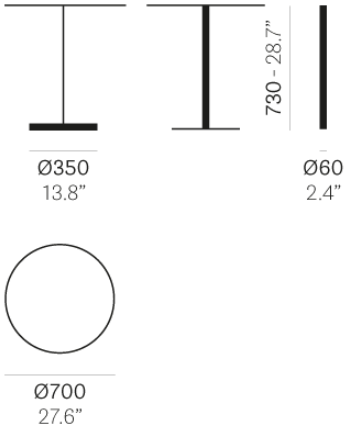


DESIGN:
PEDRALI R&D

The circle, classic and always current archetype, gives life to Tonda, practical and functional table collection. Table with sand-blasted cast-iron base and steel column, available combined with round tops of different sizes and finishes.

INFORMATION REQUEST





POWDER COATED FRAME (VIEW FINISHES AND MATERIALS)

COLUMN FINISHES



CR



FINISHES AND MATERIALS

PEDRALI®

TONDA 4553

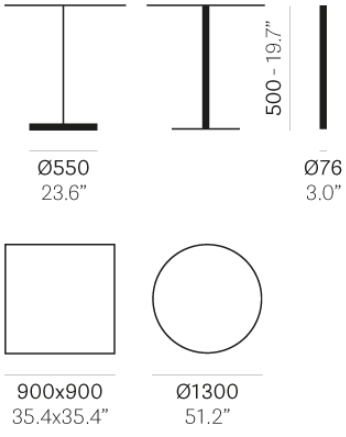


DESIGN:
PEDRALI R&D

The circle, classic and always current archetype, gives life to Tonda, practical and functional table collection. Coffee table with sand-blasted cast-iron base and steel or oak wood column, available combined with tops of different sizes and finishes.

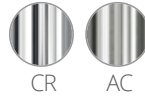
INFORMATION REQUEST





POWDER COATED FRAME (VIEW FINISHES AND MATERIALS)

FRAME FINISHES



FINISHES AND MATERIALS

PEDRALI®

TONDA 4550-4551

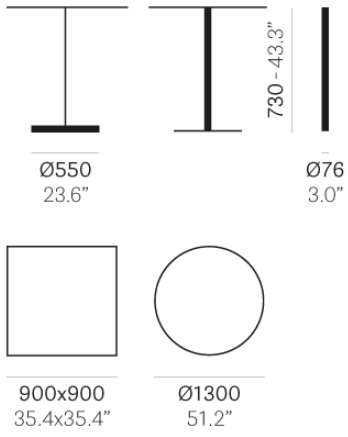


DESIGN:
PEDRALI R&D

The circle, classic and always current archetype, gives life to Tonda, practical and functional table collection. Table with sand-blasted cast-iron base and steel or oak wood column, available combined with tops of different sizes and finishes.

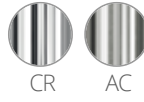
INFORMATION REQUEST





POWDER COATED FRAME (VIEW FINISHES AND MATERIALS)

FRAME FINISHES



FINISHES AND MATERIALS

PEDRALI®

TONDA 4534

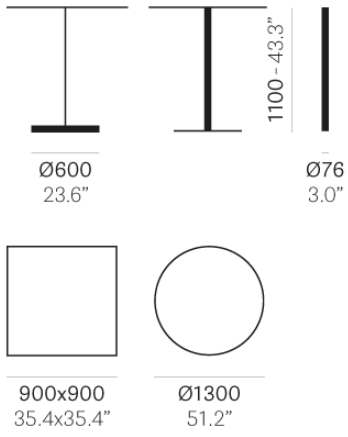


DESIGN:
PEDRALI R&D

The circle, classic and always current archetype, gives life to Tonda, practical and functional table collection. Poseur table with sand-blasted cast-iron base and steel column, available combined with tops of different sizes and finishes.

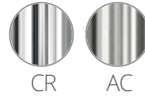
INFORMATION REQUEST





POWDER COATED FRAME (VIEW FINISHES AND MATERIALS)

COLUMN FINISHES



FINISHES AND MATERIALS

Tonda 4530_VER

PEDRALI
THE ITALIAN ESSENCE

DESIGN
Pedrali R&D



Tonda table base with cast iron base and steel tube in epoxy-polyester powder coating

Basamento Tonda con base in ghisa e tubo in acciaio verniciati con polvere epossipoliestere / Tischgestell Tonda mit Bodenplatte aus Gusseisen und Rohr aus Edelstahl mit Epoxid-Polyesterpulver pulverbeschichtet / Piètement Tonda avec base en fonte et tube en acier époxy à poudre / Pie de mesa Tonda con base de hierro fundido y tubo de acero barnizados con polvo epoxi-poliéster

<p>MATERIALS</p> <p>Materiali Materialien Matériaux Materiales</p> <p>CROSS</p> <p>Crociera Kreuz Croix Cruceta</p> <p>FEET</p> <p>Piedini Gleiter Patins Tacos</p>	<ul style="list-style-type: none"> • BASE - BASE - BODENPLATTE - BASE - BASE Ø600 mm, cast iron, sandblasted, epoxy-polyester powder coating Ø600 mm, ghisa, sabbiata, verniciata con polvere epossipoliestere / Ø600 mm, Gusseisen, Sandgestrahlt, epoxy-polyester pulverbeschichtet / Ø600 mm, fonte, sablée, vernissage à poudre époxy-polyester / Ø600 mm, hierro fundido, arenada, barnizada con polvo epoxi-poliéster • COLUMN - COLONNA - SÄULE - COLONNE - COLUMN Tube Ø76 mm, steel, epoxy-polyester powder coating Tubo Ø76 mm, acciaio, verniciato con polvere epossipoliestere / Rohr Ø76 mm, Stahl, epoxy-polyester pulverbeschichtet / Tube Ø76 mm, acier, vernissage à poudre époxy-polyester / Tubo Ø76 mm, acero, barnizada con polvo epoxi-poliéster <p>code 4008 450x450 mm, Cast iron, sandblasted, epoxy-polyester powder coating 450x450 mm, ghisa, sabbiata, verniciata con polvere epossipoliestere / 450x450 mm, Gusseisen, Sandgestrahlt, epoxy-polyester pulverbeschichtet / 450x450 mm, fonte, sablée, vernissage à poudre époxy-polyester / 450x450 mm, Hierro fundido, arenada, barnizada con polvo epoxi-poliéster</p> <p>code 1001 Fixed, 6xØ18 mm, Technopolymer, black Fissi, 6xØ18 mm, in tecnopolimero, neri / standard Gleiter, 6xØ18 mm, Technopolymer, schwarz / Fixes, 6xØ18 mm, Technopolymère, noir / Fijos, 6xØ18 mm, tecnopolimero, negro</p> <p>code 1003 (REG version) Adjustable, 6xØ30 mm, Polyethylene base, zinc-plated shaft Regolabili, 6xØ30 mm, base in PE, gambo zincato / Verstellgleiter, 6xØ30 mm, Platte aus Polyäthylen, verzinkte Gleiter / Réglables, 6xØ30 mm, base en polyéthylène, tige zingué / Regulables, 6xØ30 mm, tacos en polietileno, perno galvanizado</p>
<p>ACCESSORIES</p> <p>Accessori Zubehörteile Accessoires Accesorios</p>	<p>code KIT/FELTRO.CURVO.6 kit n°6 adhesive felts for round bases Kit n° 6 feltrini adesivi per basi tonde / Kit n° 6 Filzgleiter für runden sockel / Kit n° 6 feutres adhesifs pour bases rondes / Kit n° 6 topes de feltro para bases redondas</p>
<p>REGULATIONS AND CERTIFICATES</p> <p>Regulations and certificates Normative e certificazioni Bestimmungen und Zertifikat Normatives et certifications Normativas y certificados</p>	<p>Conforming to: Stability EN 1730:2012, par. 7.2 - level 3° EN 15372:2008 Conforme alla norma: Stabilità EN 1730:2012, par. 7.2 - 3° livello EN 15372:2008</p> <p>100% demountable product - 100% recyclable material Prodotto 100% disassemblabile - 100% materiali riciclabili / Produkt 100% demontierbar - 100% Material recyclingfähig / Produit 100% démontable - 100% recyclable / Producto 100% desmontable - 100% materiales reciclables</p>

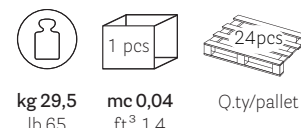
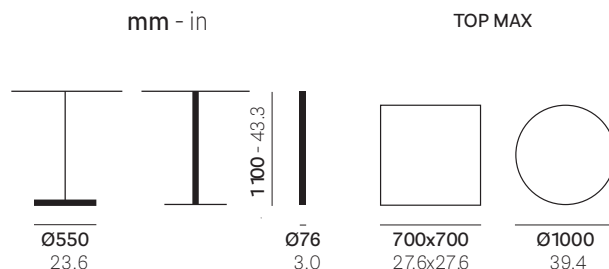
Reproduction of this document is strictly prohibited without prior written authorisation from Pedrali SpA. Sizes, weights and finishes may change without previous notice. È vietata la riproduzione del seguente documento senza previa autorizzazione scritta da parte di Pedrali SpA. Dimensioni, pesi e finiture possono variare senza alcun preavviso.

Tonda 4554_VER

PEDRALI
THE ITALIAN ESSENCE

DESIGN
Pedrali R&D

100% MADE IN ITALY



Tonda table base with cast iron base and steel tube in epoxy-polyester powder coating

Basamento Tonda con base in ghisa e tubo in acciaio verniciati con polvere epossipoliestere / Tischgestell Tonda mit Bodenplatte aus Gusseisen und Rohr aus Edelstahl mit Epoxid-Polyesterpulver pulverbeschichtet / Pièment Tonda avec base en fonte et tube en acier époxy à poudre époxy-polyester / Pie de mesa Tonda con base de hierro fundido y tubo de acero barnizados con polvo epoxi-poliéster

<p>MATERIALS Materiali Materialien Matériaux Materiales</p> <p>CROSS Crociera Kreuz Croix Cruceta</p> <p>FEET Piedini Gleiter Patins Tacos</p>	<ul style="list-style-type: none"> • BASE - BASE - BODENPLATTE - BASE - BASE Ø550 mm, cast iron, sandblasted, epoxy-polyester powder coating Ø550 mm, ghisa, sabbiata, verniciata con polvere epossipoliestere / Ø550 mm, Gusseisen, Sandgestrahlt, epoxid-polyester pulverbeschichtet / Ø550 mm, fonte, sablée, époxy à poudre époxy-polyester / Ø550 mm, hierro fundido, arenada, barnizada con polvo epoxi-poliéster • COLUMN - COLONNA - SÄULE - COLONNE - COLUMN Tube Ø76 mm, steel, epoxy-polyester powder coating Tubo Ø76 mm, acciaio, verniciato con polvere epossipoliestere / Rohr Ø76 mm, Stahl, epoxid-polyester pulverbeschichtet / Tube Ø76 mm, acier, époxy à poudre époxy-polyester / Tubo Ø76 mm, acero, barnizada con polvo epoxi-poliéster <p>code 4008 450x450 mm, Cast iron, sandblasted, epoxy-polyester powder coating 450x450 mm, ghisa, sabbiata, verniciata con polvere epossipoliestere / 450x450 mm, Gusseisen, Sandgestrahlt, epoxid-polyester pulverbeschichtet / 450x450 mm, fonte, sablée, époxy à poudre époxy-polyester / 450x450 mm, Hierro fundido, arenada, barnizada con polvo epoxi-poliéster</p> <p>code 1001 Fixed, 6xØ18 mm, Technopolymer, black Fissi, 6xØ18 mm, in tecnopolimero, neri / standard Gleiter, 6xØ18 mm, Technopolymer, schwarz / Fixes, 6xØ18 mm, Technopolymère, noir / Fijos, 6xØ18 mm, tecnopolimero, negro</p>
<p>ACCESSORIES Accessori Zubehörteile Accessoires Accesorios</p>	<p>code KIT/FELTRO.CURVO.6 kit n°6 adhesive felts for round bases Kit n° 6 feltrini adesivi per basi tonde / Kit n° 6 Filzgleiter für runden sockel / Kit n° 6 feutres adhesifs pour bases rondes / Kit n° 6 topos de feltro para bases redondas</p>
<p>REGULATIONS AND CERTIFICATES Regulations and certificates Normative e certificazioni Bestimmungen und Zertifikat Normatives et certifications Normativas y certificados</p>	<p>Conforming to: Stability EN 1730:2012, par. 7.2 - level 3° EN 15372:2008 Conforme alla norma: Stabilità EN 1730:2012, par. 7.2 - 3° livello EN 15372:2008</p> <p>100% demountable product - 100% recyclable material Prodotto 100% disassemblabile - 100% materiali riciclabili / Produkt 100% demontierbar - 100% Material recyclingfähig / Produit 100% démontable - 100% recyclable / Producto 100% desmontable - 100% materiales reciclables</p>

Reproduction of this document is strictly prohibited without prior written authorisation from Pedrali SpA. Sizes, weights and finishes may change without previous notice. È vietata la riproduzione del seguente documento senza previa autorizzazione scritta da parte di Pedrali SpA. Dimensioni, pesi e finiture possono variare senza alcun preavviso.