

# Jord

SOFA SEATING SYSTEM

*Designed with Luca Nichetto*

The modular *Jord Seating System* makes an impression with clean lines, deep seats, and a low-to-the-ground form that welcomes peaceful sitting, reclining or curling up.



---

## DIMENSIONS

SEE DIMENSIONS CONNECTED TO LINEDRAWINGS

<b>TOTAL HEIGHT</b>	68.0 cm / 26.7 in
<b>SEAT HEIGHT</b>	38.0 cm / 14.9 in
<b>ARMREST HEIGHT</b>	68.0 cm / 26.7 in
<b>SEAT DEPTH</b>	82.0 – 98.0 cm / 32.2 – 38.5 in

Armrests and backcushions are foldable in seven different positions. This effects the total depth and length of the modules.

---

## MATERIALS

<b>FRAME</b>	Steel and solid oak or walnut
<b>LEGS</b>	Powder coated steel
<b>BACKREST</b>	Metal
<b>BACK CUSHIONS</b>	Foam, down feathers & wadding
<b>SEAT CUSHIONS</b>	Foam & wadding
<b>ARMREST</b>	Metal
<b>UPHOLSTERY</b>	Leather, fabric
<b>FOAM OPTIONS</b>	CMHR
<b>FURNITURE FEET</b>	Plastic gliders

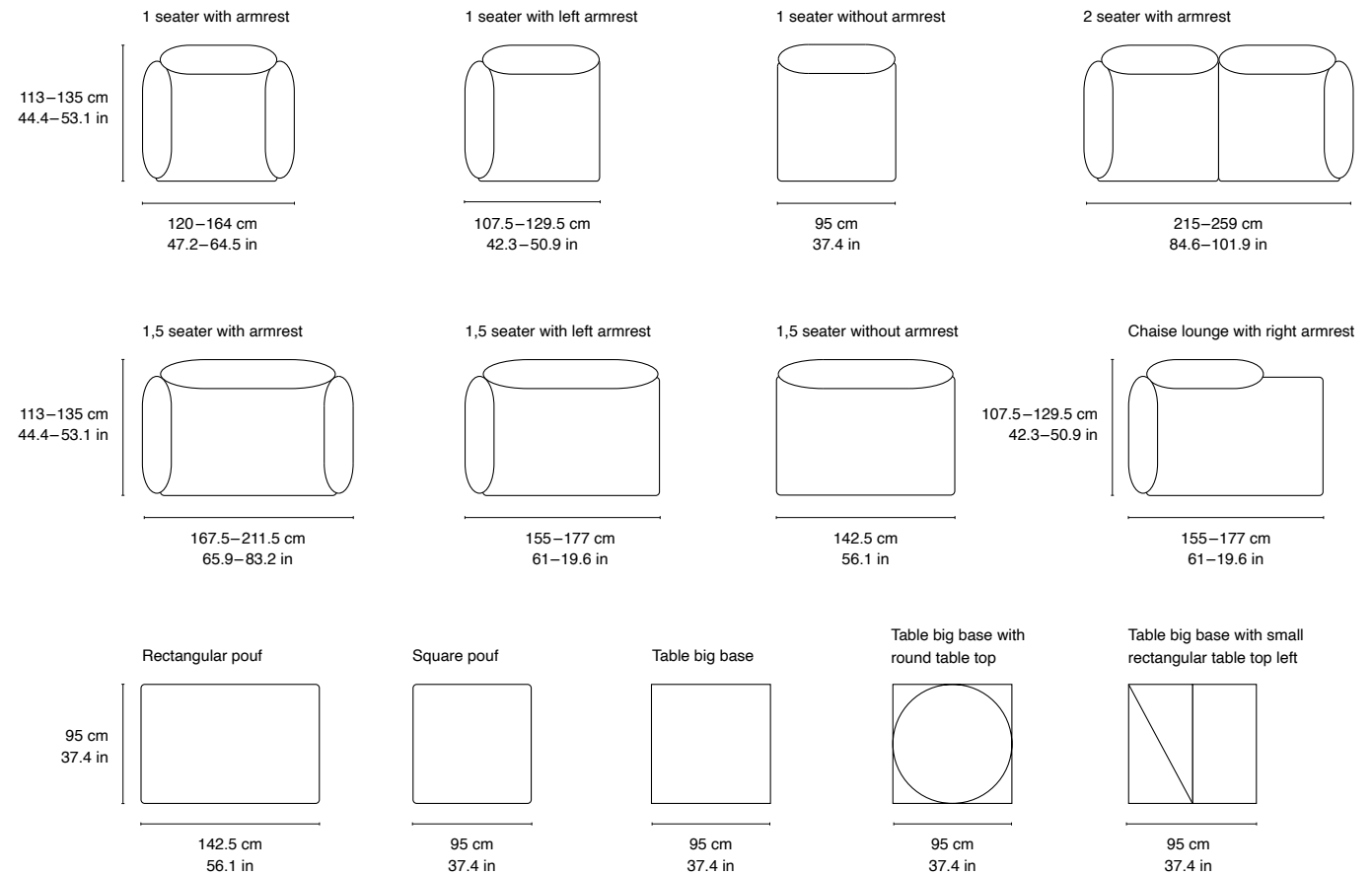
---

## OTHER SPECIFICATIONS

<b>COUNTRY OF ORIGIN</b>	Poland
--------------------------	--------

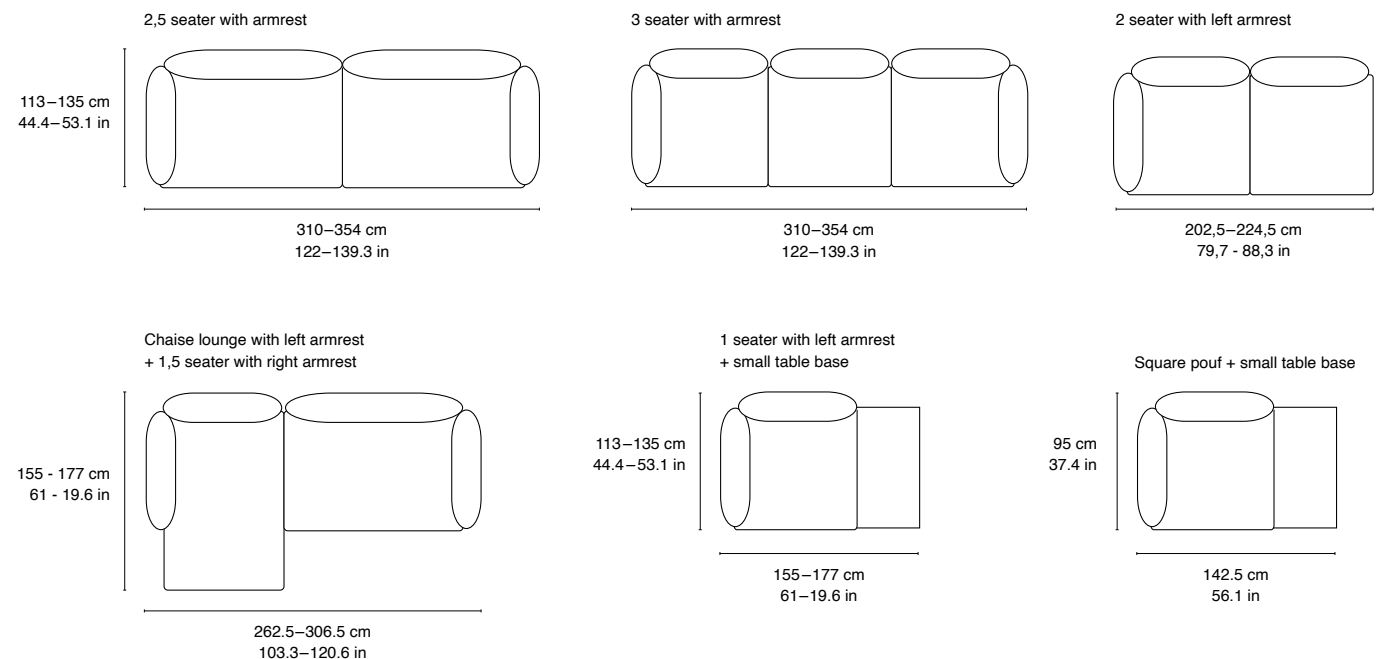
MODULES

ALL MODULES CAN BE INVERTED



EXAMPLE CONFIGURATIONS

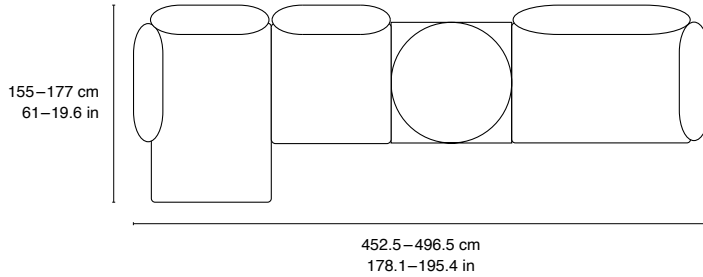
ALL MODULES CAN BE INVERTED



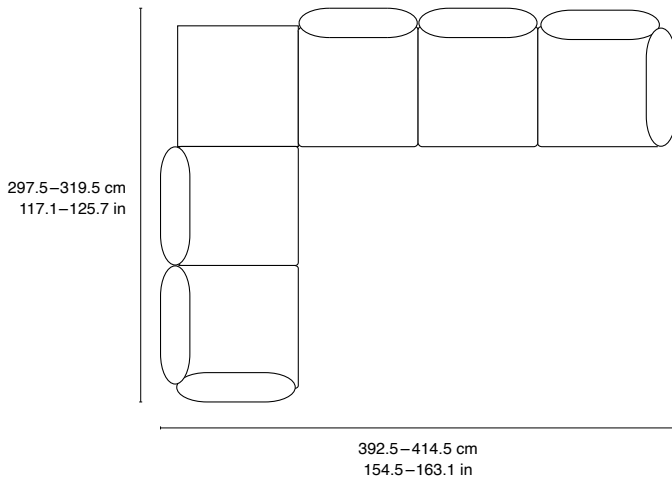
## EXAMPLE CONFIGURATIONS

ALL MODULES CAN BE INVERTED

Chaise Lounge with left armrest + 1 seater + table big base  
with round table top + 1,5 seater with right armrest



1 seater with left armrest + 1 seater + table big base without table top  
+ 1 seater + 1 seater + 1,5 seater with right armrest



---

WARRANTY, CARE AND MAINTENANCE

**More information on our website**

---

STANDARD UPHOLSTERY OVERVIEW

*CONTACT FOGIA FOR OPTIONAL UPHOLSTERY.*

**More information in our asset library**

---

COLORS & SURFACE TREATMENT OVERVIEW

*CONTACT FOGIA FOR OPTIONAL LEG COLORS.*

**More information in our asset library**