

Supersoft

SOFA SEATING SYSTEM

Designed with Note

Supersoft combines supreme comfort with a strong personality and defined shape. Its modular design means you can choose from configurations perfectly tailored to your needs.



DIMENSIONS

SEE DIMENSIONS CONNECTED TO LINEDRAWINGS

TOTAL HEIGHT	78.0 cm / 30.7 in
SEAT HEIGHT	45.0 cm / 17.7 in
ARMREST HEIGHT	66.0 cm / 25.9 in
SEAT DEPTH	62.0 cm / 24.4 in

MATERIALS

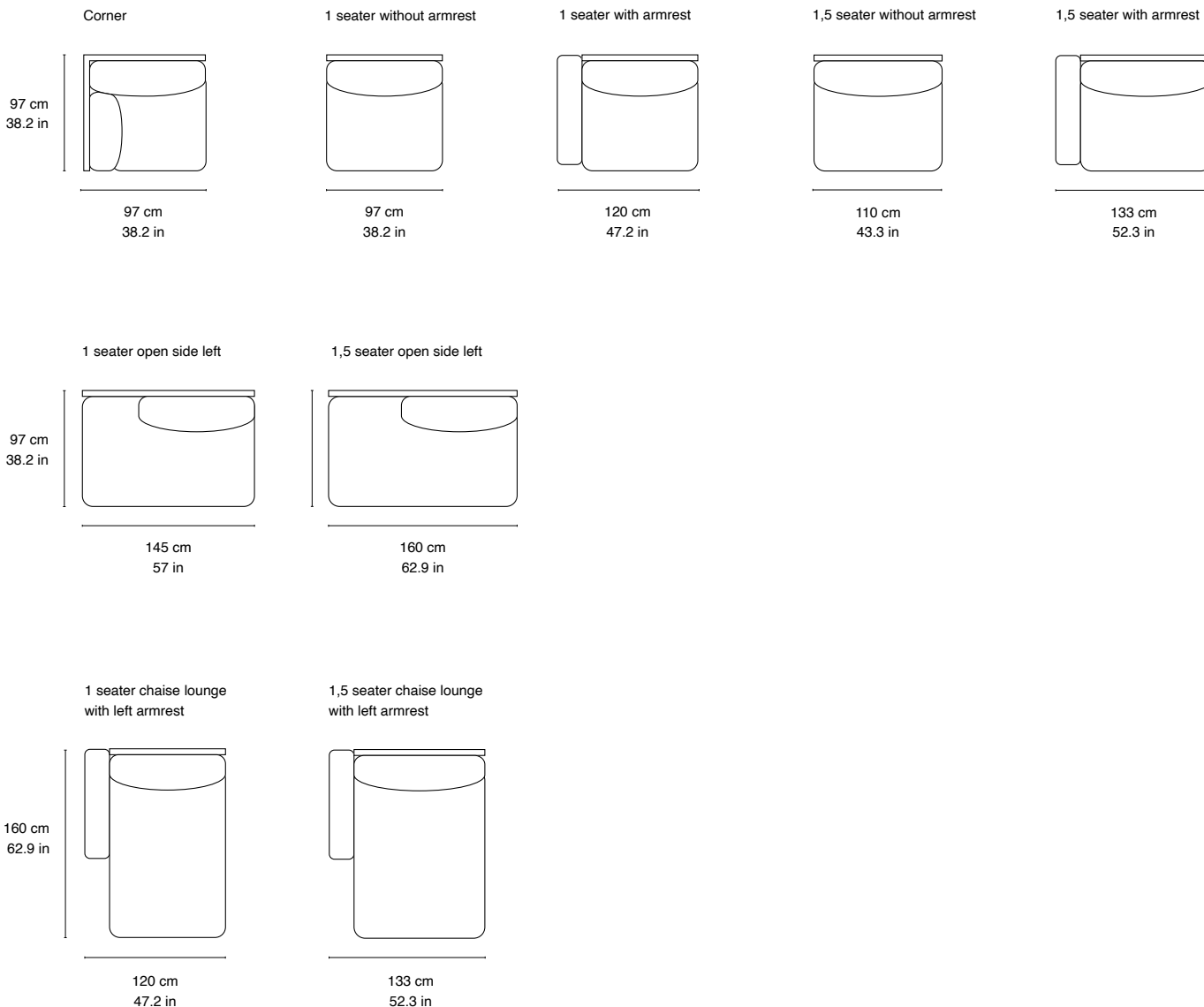
FRAME	Solid wood
LEGS	Solid wenge
SEAT	Upholstered foam & wadding
BACKREST	Wood board
BACK CUSHIONS	Down feather mix & comforell
ARMREST	Wood board, foam & wadding
UPHOLSTERY	Fabric
FOAM OPTIONS	CMHR
FURNITURE FEET	Plastic gliders

OTHER SPECIFICATIONS

COUNTRY OF ORIGIN	Poland
--------------------------	--------

MODULES

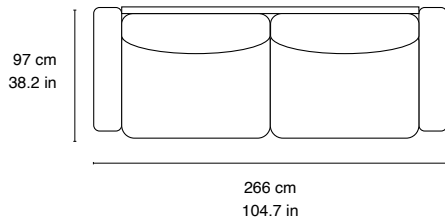
ALL MODULES CAN BE INVERTED



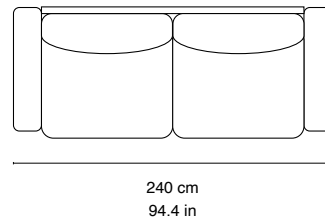
EXAMPLE CONFIGURATIONS

ALL MODULES CAN BE INVERTED

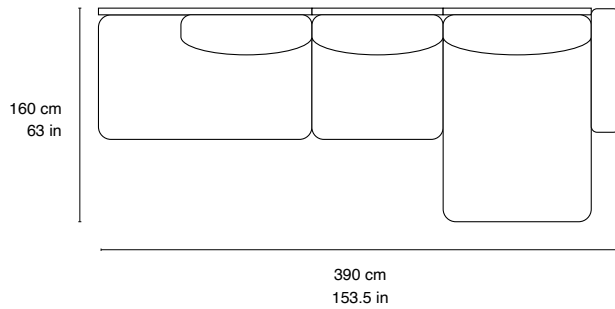
2,5 seater with armrest



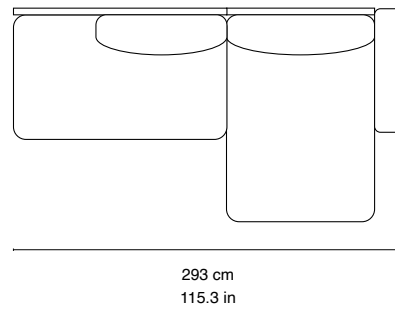
2 seater with armrest



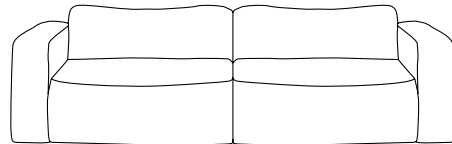
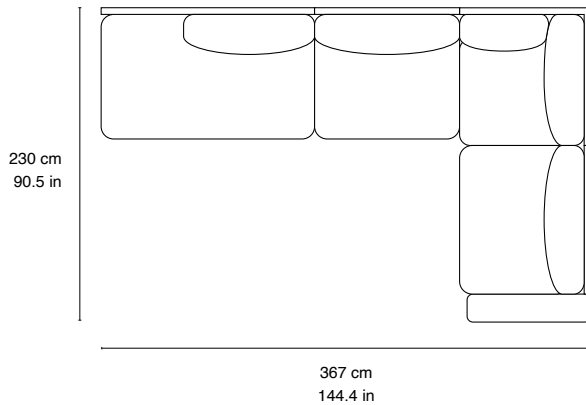
1,5 seater open side left + 1 seater + 1,5 seater chaise lounge



1,5 seater with open side left + 1,5 seater chaise lounge with right armrest



1,5 seater open side left + 1,5 seater + corner + 1,5 seater with right armrest



WARRANTY, CARE AND MAINTENANCE

[More information on our website](#)

STANDARD UPHOLSTERY OVERVIEW
CONTACT FOGIA FOR OPTIONAL UPHOLSTERY.

[More information in our asset library](#)

SURFACE TREATMENT OVERVIEW

[More information in our asset library](#)