

STIL

Patrick Norguet | 2009



STIL

Patrick Norguet | 2009

The STIL chair, light but with a distinct character, gives metal the pleasure of re-interpreting a classic chair shape. And with a bold choice of colours and endless combinations, it clearly and boldly communicates its presence.



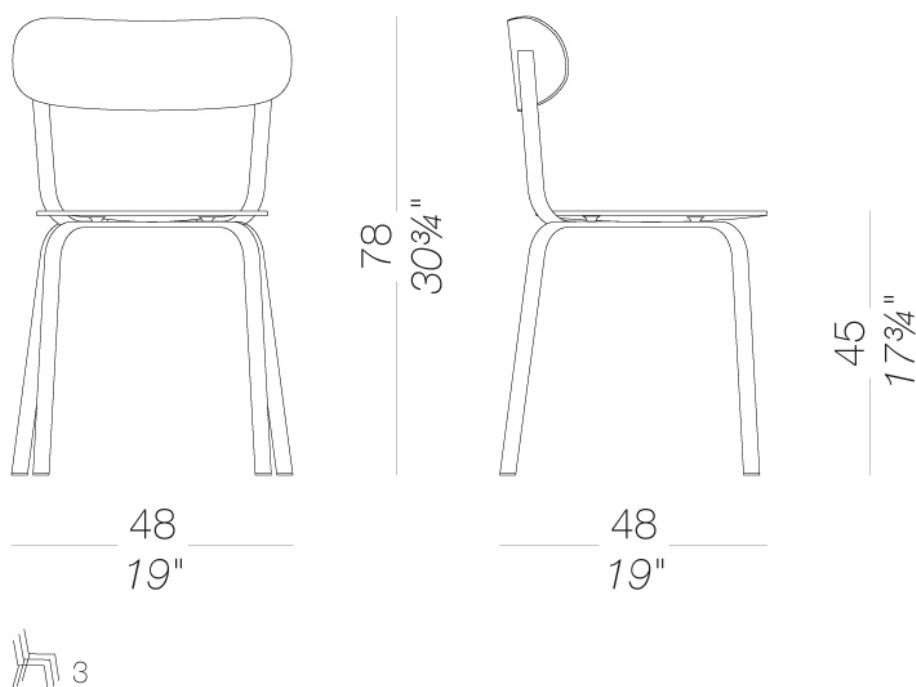
STIL

Patrick Norguet | 2009

| S48 Powder-coated metal chair

Stackable chair in powder coated metal: also available with thermoformed seat-pad in anthracite colour. Glides in polythene. It is complemented by a stool in two heights.

TEST EN 1728:2000 6.7 - EN 15373:2007 - L3 severe

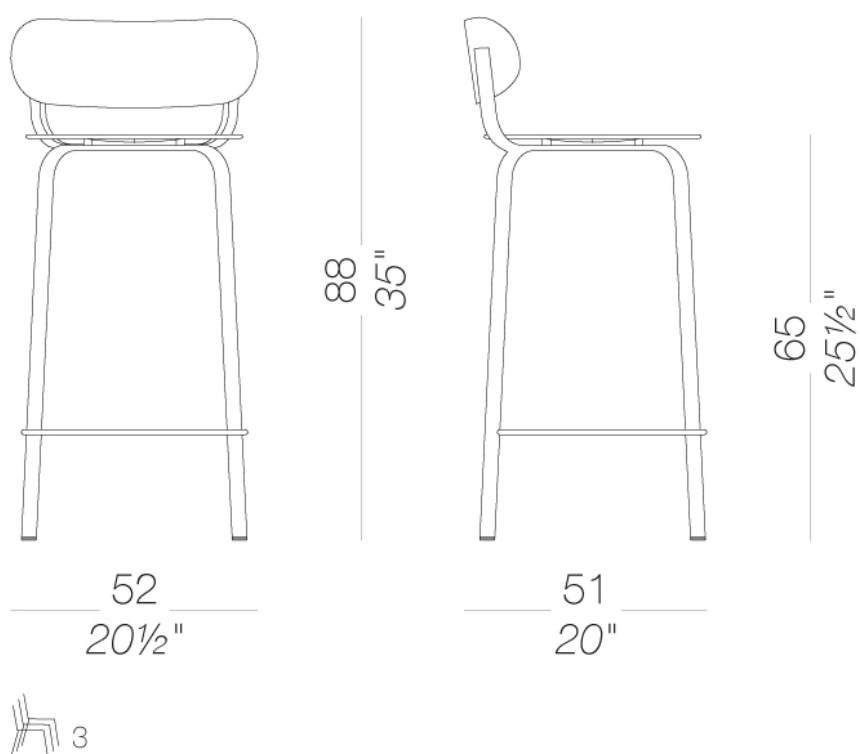


STIL

Patrick Norguet | 2009

| S49_65 Powder-coated metal counter stool h65

Stackable stool h. 65 cm. entirely in powder coated metal frame with glides in polythene. Thermoformed fabric seat-pad colour anthracite also available.

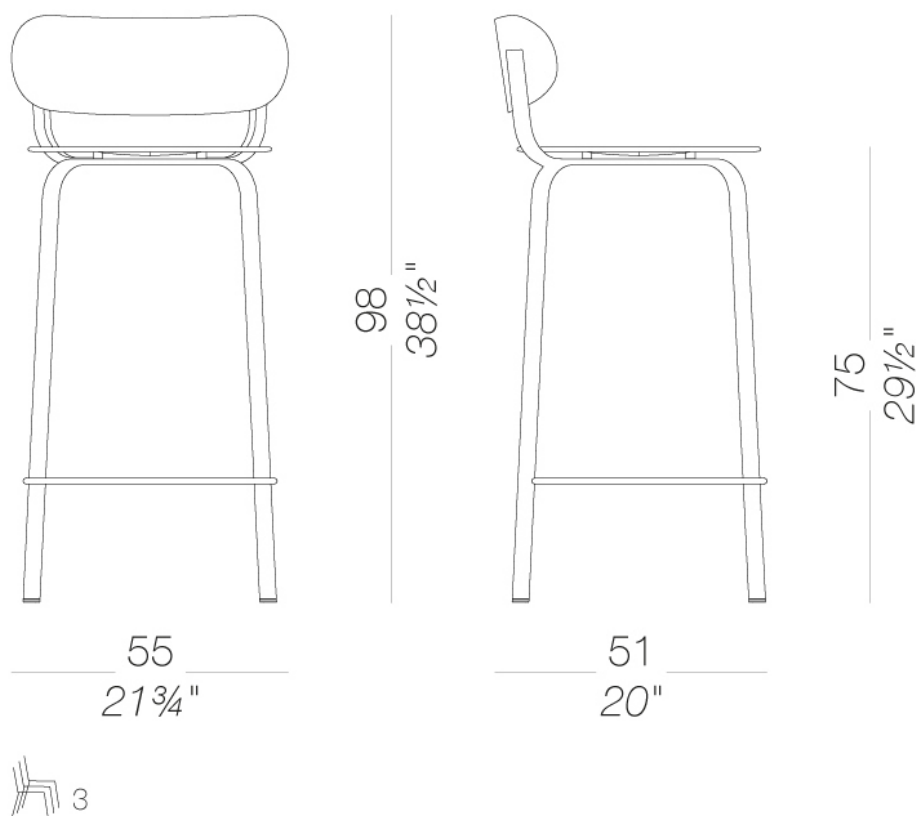


STIL

Patrick Norguet | 2009

| S49 Powder-coated metal bar stool h75

Stackable stool h. 75 cm. entirely in powder coated metal frame with glides in polythene. Thermoformed fabric seat-pad colour anthracite also available.



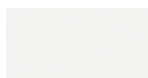
STIL

Patrick Norguet | 2009

frame



powder coating
black
1 Colors



powder coating
white
1 Colors



powder coating
senape
1 Colors



powder coating
rubino
1 Colors



powder coating
perla
1 Colors



powder coating
celeste
1 Colors



powder coating
mattone
1 Colors



powder coating
caffè
1 Colors



powder coating
oliva
1 Colors



powder coating
tortora
1 Colors

cushion



fabric
anthracite
1 Colors

consult the portfolio for the range of colors, fabrics, eco-leather, soft-leather.

use and maintenance instructions

Clean all parts in wood, leather, fabric and metal with a damp cloth or a diluted neutral cleaner. Do not use cleaners with alcohol, bleach, solvent or abrasive products. Any liquid spilt on the product must be wiped up immediately. When lifting or moving the product, hold it on the structure and not under the seat. The product should not be subjected to unbalanced weights, as it is designed for a proper rest on the foothold (on four legs or on the base). Our company relieves from any responsibility in case of damage caused to fragile floors. Avoid any improper use of the product: do not step on the product, on the footrest or on the armrests. Avoid any movements that could compromise the proper functionality of the product or the safety of the users. Wood and leather, being natural materials, could be easily damaged. Small impurities or imperfections are within quality standard range. Do not expose the product to weather conditions or atmospheric agents, nor to heat sources over 40°C. Also products for outdoor use could be afflicted by atmospheric agents. The product could undergo possible exterior changes due to particular exposure to heat, humidity and saltiness. An appropriate and frequent maintenance and cleaning of the product enhances its durability. The product could change colour and shade, if exposed to direct sunlight. Maintenance has to be carried out by experienced staff. Dispose of the package only after assembling the product, in order to avoid the loss of ironmongery and components. Once the product has been dismantled, the product itself or its components must be given to the public garbage disposal system, according to the legislation in force.