

# UNO

Francesco Rota | 2016



# UNO

Francesco Rota | 2016

It has such an original character that it transforms and happily remains the same. With its minimalist versatile design, the UNO chair is part of a system, intended for different roles and moments in the office and the home. The seat is the standard feature, whereas the backrest varies: high for the executive version for maximum back support, and lower for relaxing in any environment. Colours, materials and base supports provide countless options. What remains unmistakable is the simplicity of a great idea.



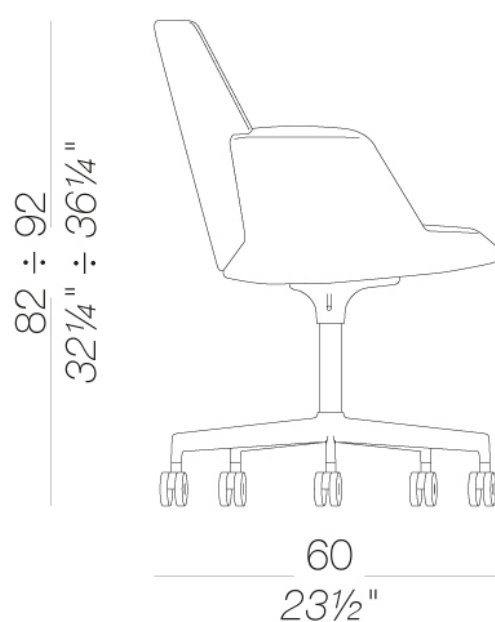
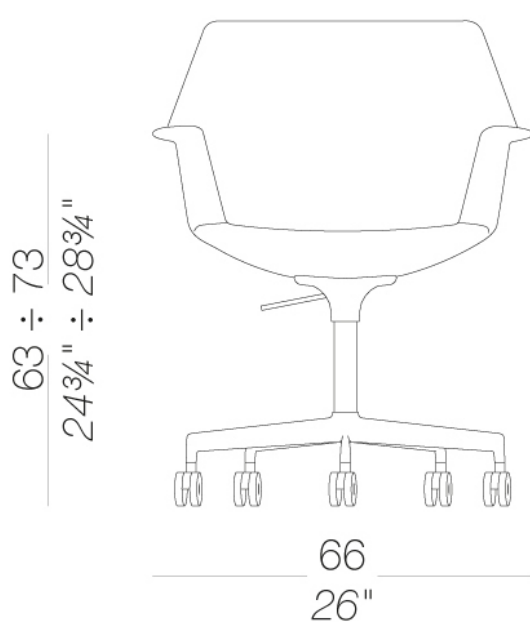
# UNO

Francesco Rota | 2016

## | S230 Height-adjustable, on castors

Height adjustable chair with 5 star swivel base in sandblasted aluminium or powder coated and self-braking castors. Seat and back with internal metal frame upholstered with fire resistant moulded foam and covered with fabric, ecoleather or leather. Tilting device also available.

TEST 1 IM - Medley, Remix



44 ÷ 54  
17 1/4 ÷ 21 1/4"

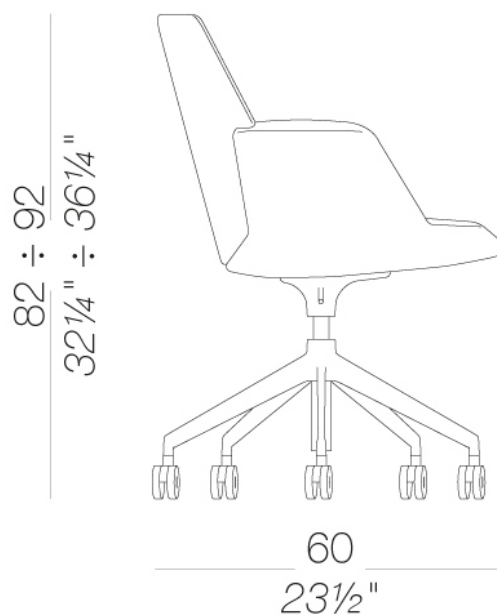
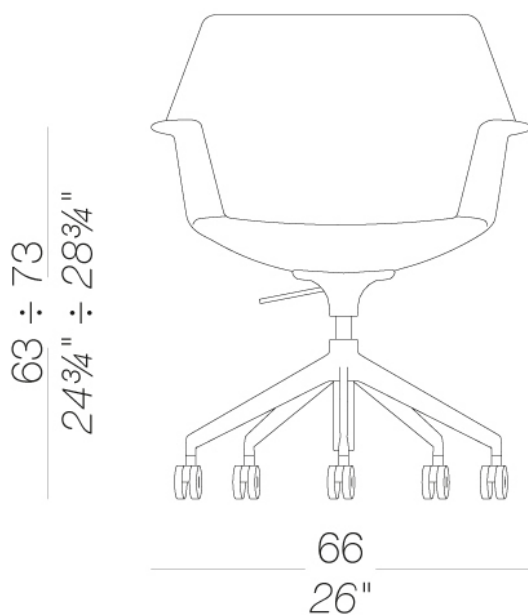
# UNO

Francesco Rota | 2016

## | S231 Height-adjustable, pyramidal base

Height adjustable chair with 5 star swivel base in sandblasted aluminium or powder coated and self-braking castors. Seat and back with internal metal frame upholstered with fire resistant moulded foam and covered with fabric, ecoleather or leather. Tilting device also available

TEST 1 IM - Medley, Remix



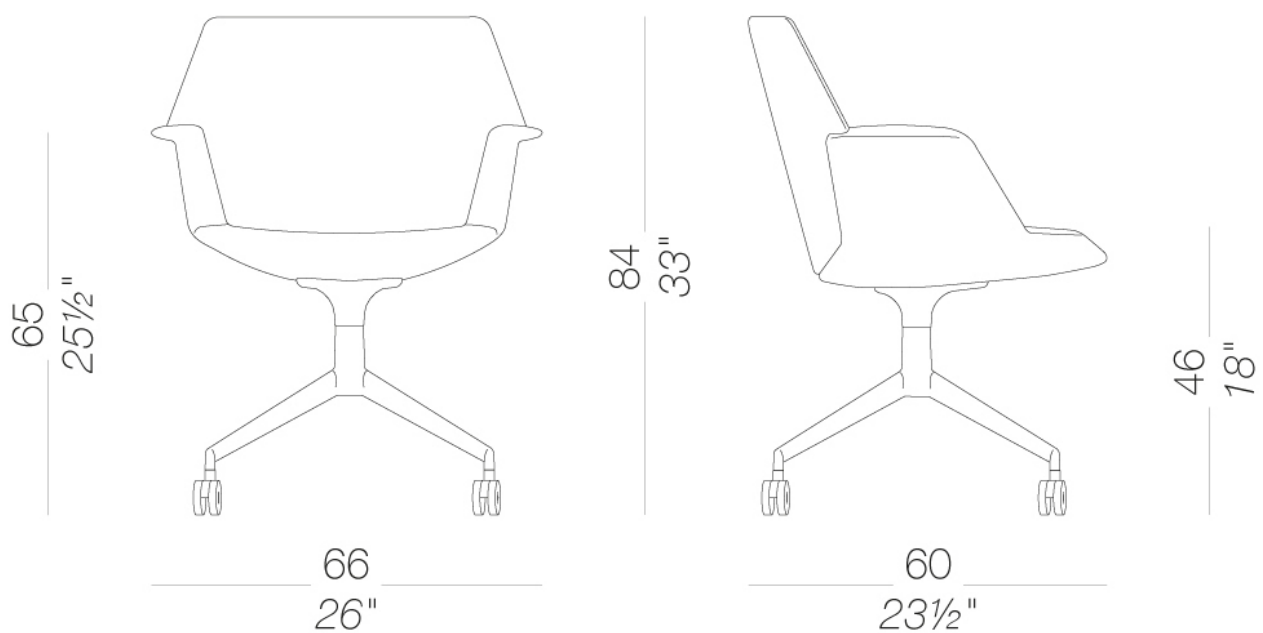
# UNO

Francesco Rota | 2016

## | S232 4-spoke base, on castors

Chair with trestle base in sandblasted aluminium or powder coated and self-braking castors. Seat and back with internal metal frame upholstered with fire resistant moulded foam and covered with fabric, ecoleather or leather. Tilting device also available.

TEST 1 IM - Medley, Remix



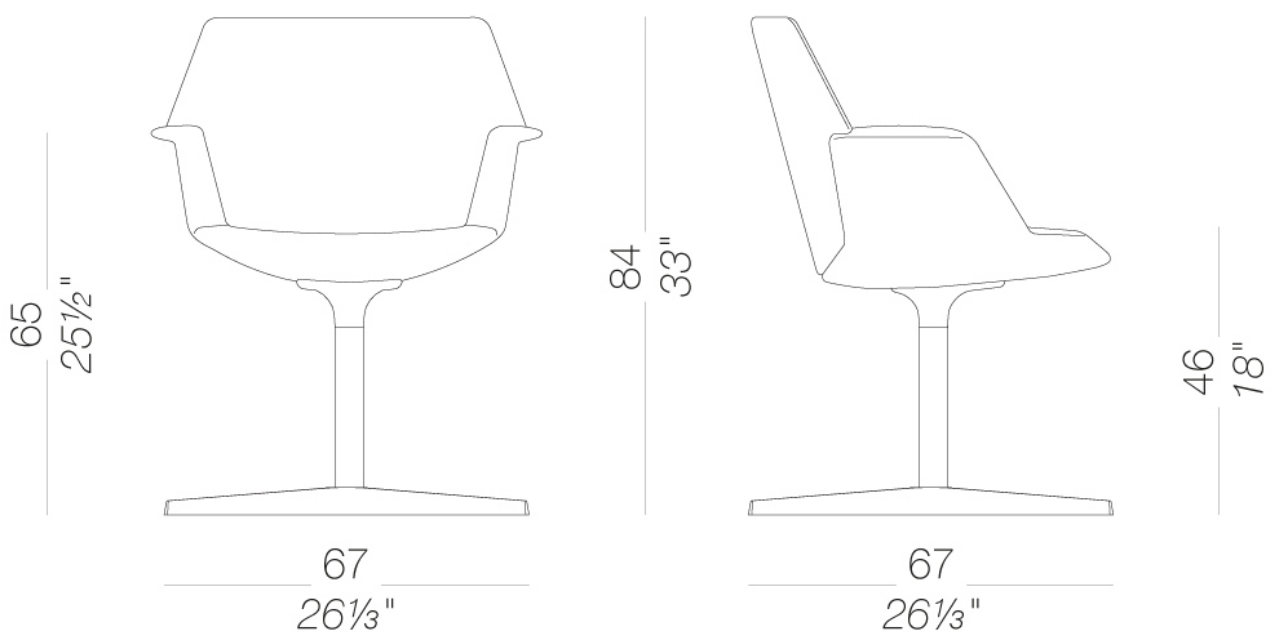
# UNO

Francesco Rota | 2016

## | S233 Star-shaped swivel base

Chair with star swivel base in sandblasted aluminium or powder coated. Seat and back with internal metal frame upholstered with fire resistant moulded foam and covered with fabric, ecoleather or leather. Glides in polythene. Tilting device also available.

TEST 1 IM - Medley, Remix



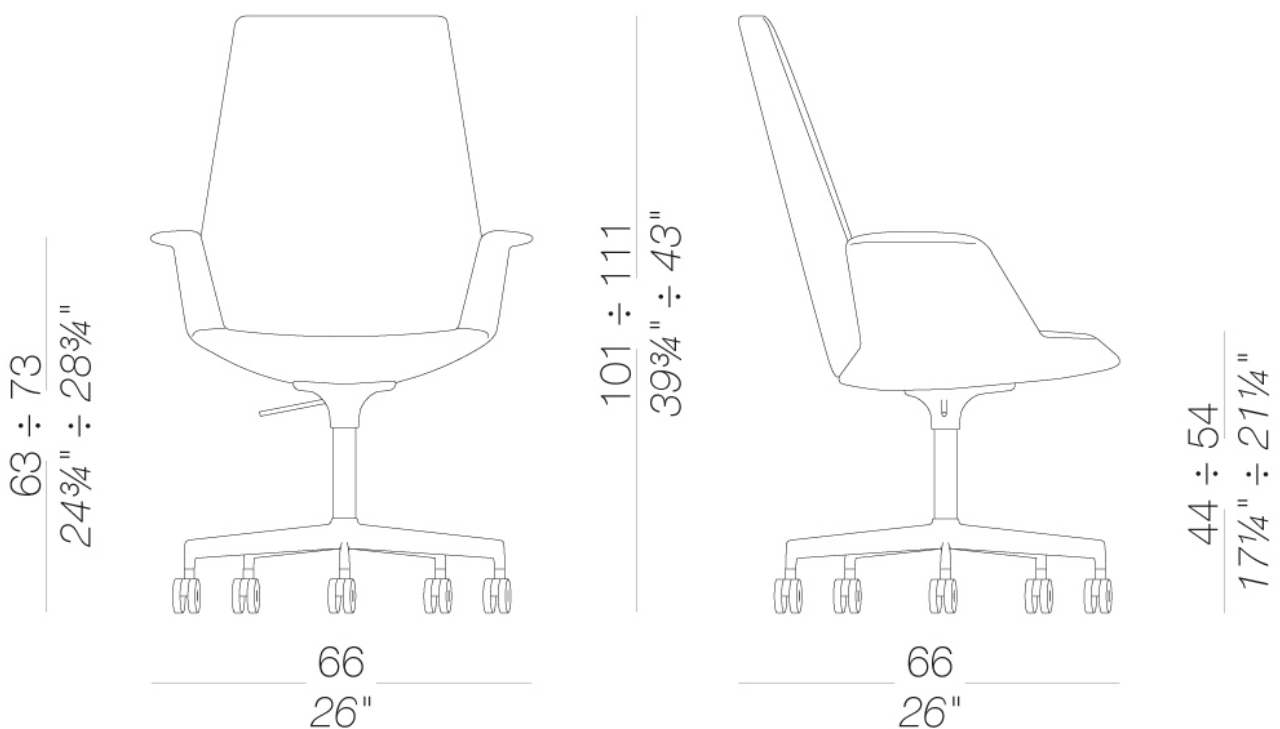
# UNO

Francesco Rota | 2016

## | S242 On castors with high backrest

Height adjustable chair with 5 star swivel base in sandblasted aluminium or powder coated and self-braking castors. Seat and back with internal metal frame upholstered with fire resistant moulded foam and covered with fabric, ecoleather or leather. Tilting device also available

TEST 1 IM - Medley, Remix





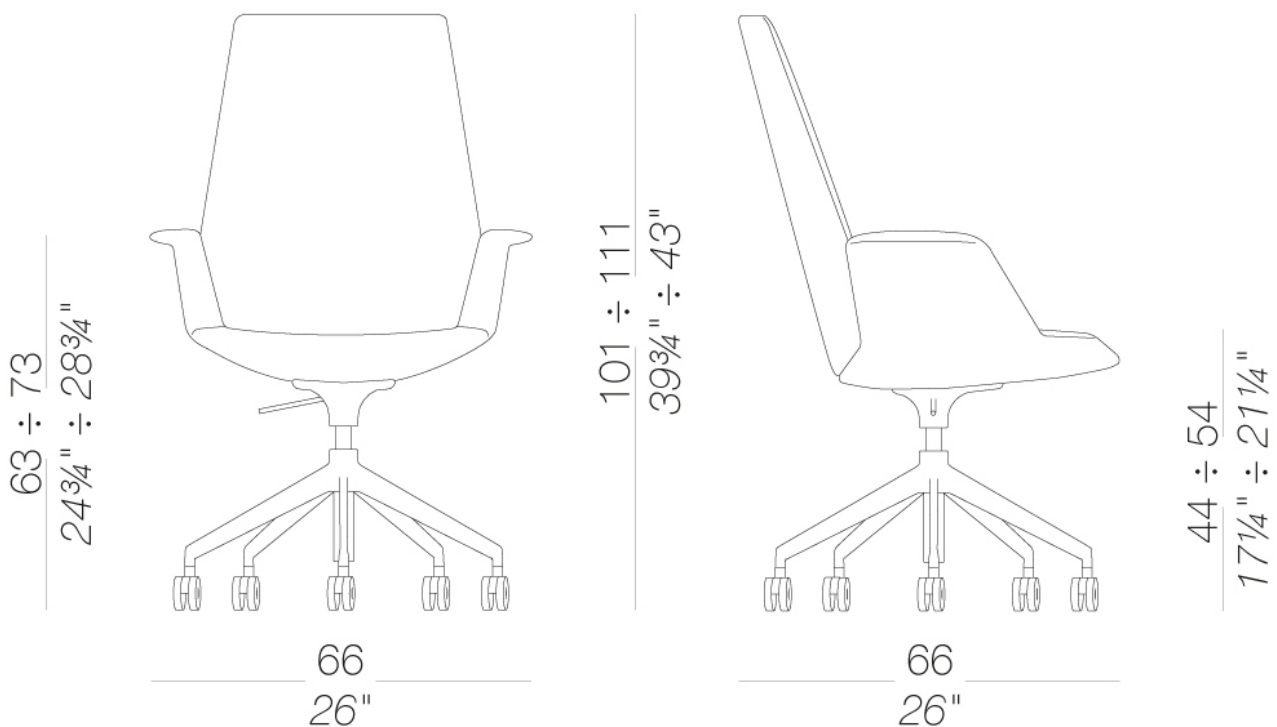
# UNO

Francesco Rota | 2016

## | S243 With high backrest and pyramidal base

Height adjustable chair with 5 star swivel base in sandblasted aluminium or powder coated and self-braking castors. Seat and back with internal metal frame upholstered with fire resistant moulded foam and covered with fabric, ecoleather or leather. Tilting device also available.

TEST 1 IM - Medley, Remix





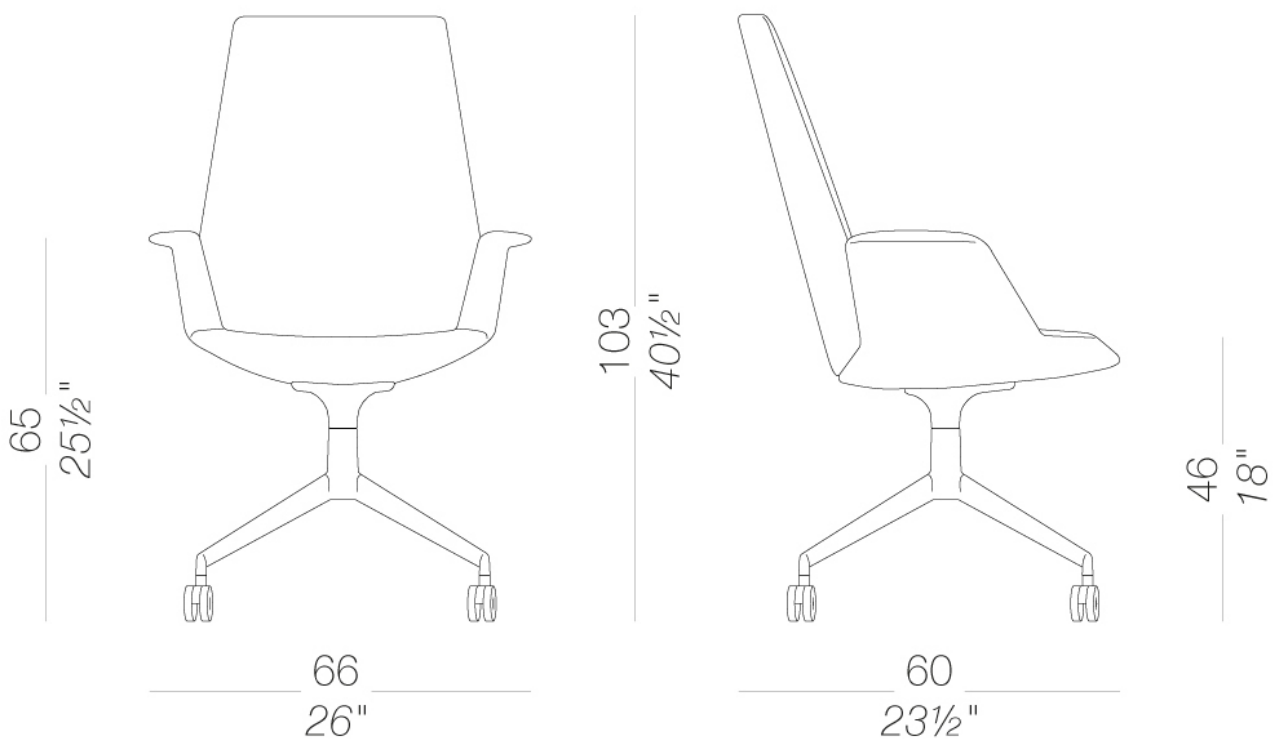
# UNO

Francesco Rota | 2016

## | S241 Trestle base with castors

Chair with trestle base in sandblasted aluminium or powder coated and self-braking castors. Seat and back with internal metal frame upholstered with fire resistant moulded foam and covered with fabric, ecoleather or leather. Tilting device also available.

TEST 1 IM - Medley, Remix



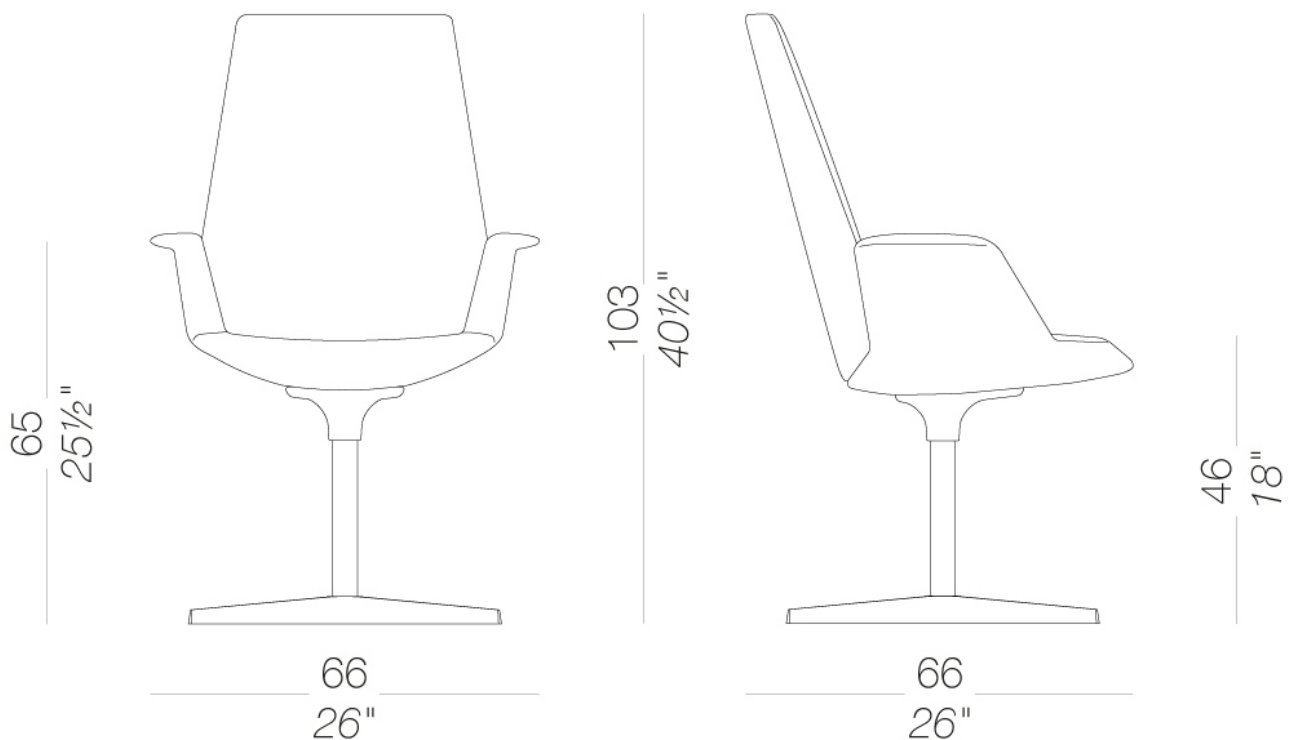
# UNO

Francesco Rota | 2016

## | S245 With high backrest and star-shaped base

Chair with star swivel base in sandblasted aluminium or powder coated. Seat and back with internal metal frame upholstered with fire resistant moulded foam and covered with fabric, ecoleather or leather. Glides in polythene. Tilting device also available.

TEST 1 IM - Medley, Remix



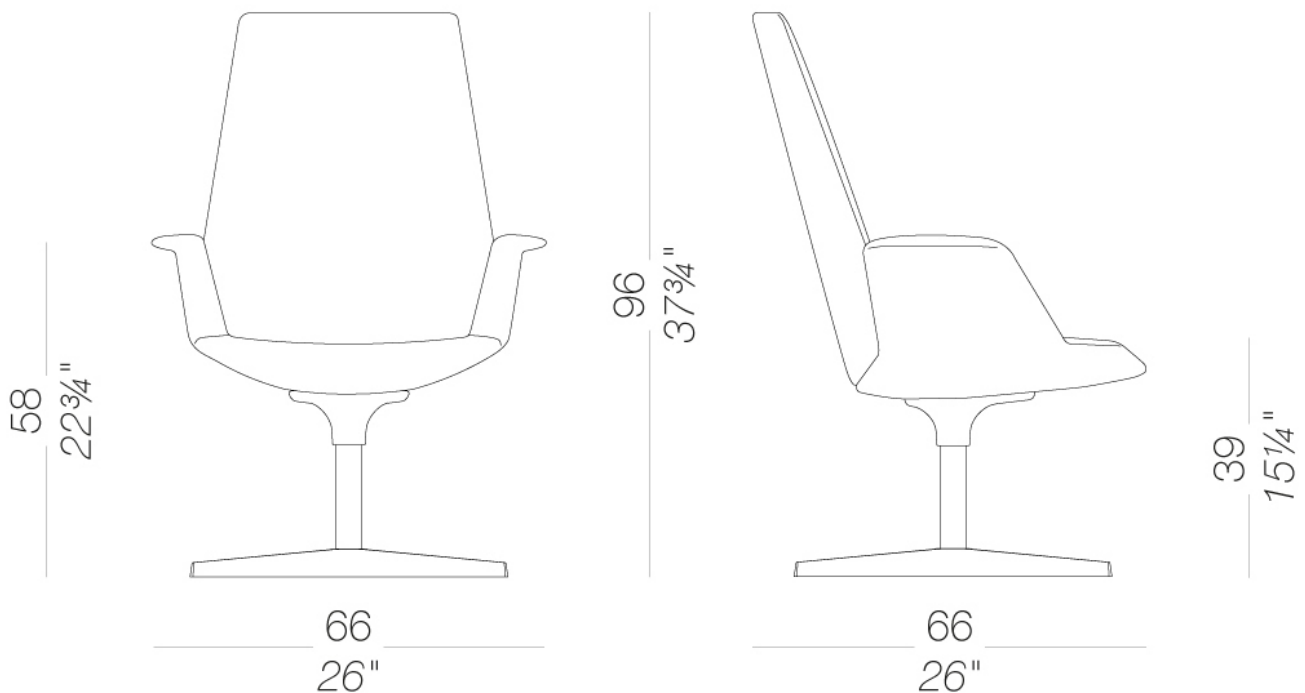
# UNO

Francesco Rota | 2016

## | S247 lounge chair with star-shaped swivel base

Lounge chair with star swivel base in sandblasted aluminium or powder coated. Seat and back with internal metal frame upholstered with fire resistant moulded foam and covered with fabric, ecoleather or leather. Glides in polythene. Tilting device also available.

TEST 1 IM - Medley, Remix



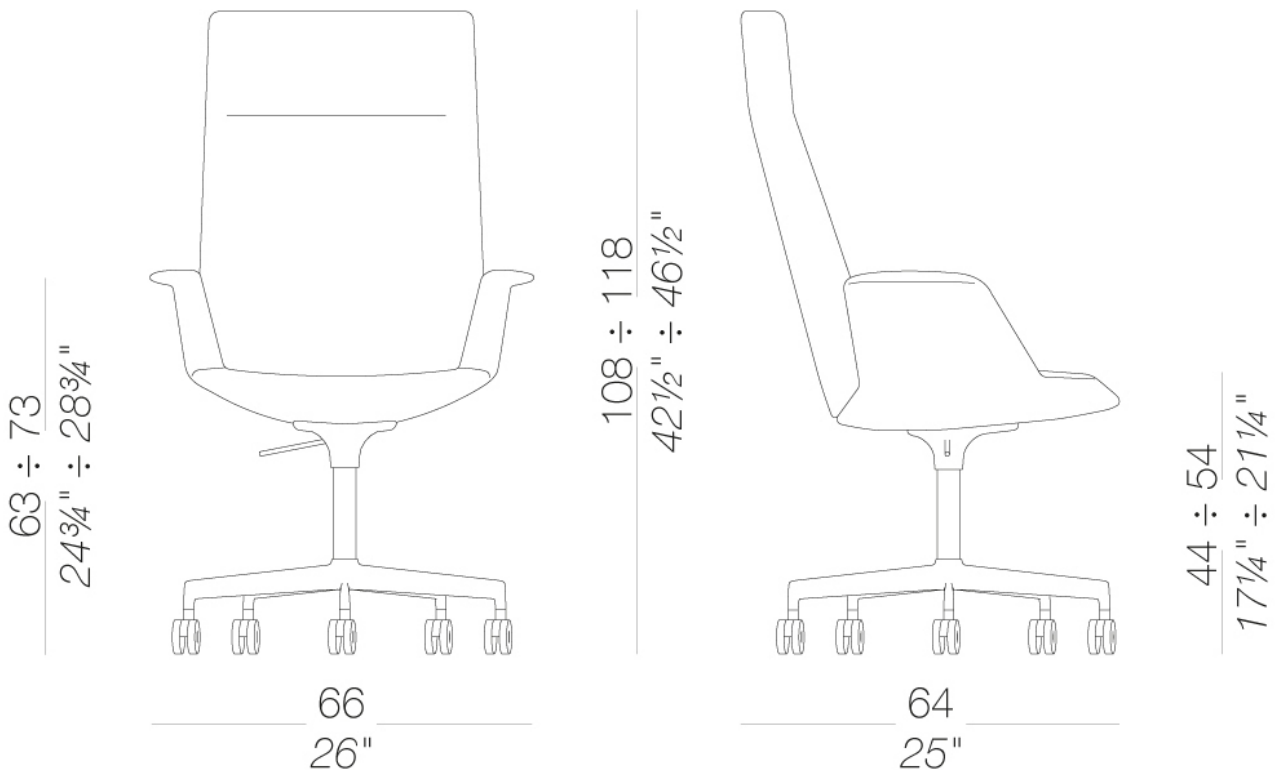
# UNO

Francesco Rota | 2016

## | S248 High backrest with headrest

Height adjustable executive chair with 5 star swivel base in sandblasted aluminium or powder coated and self-braking castors. Seat and back with internal metal frame upholstered with fire resistant moulded foam and covered with fabric, ecoleather or leather. Tilting device also available.

TEST 1 IM - Medley, Remix



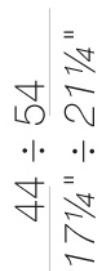
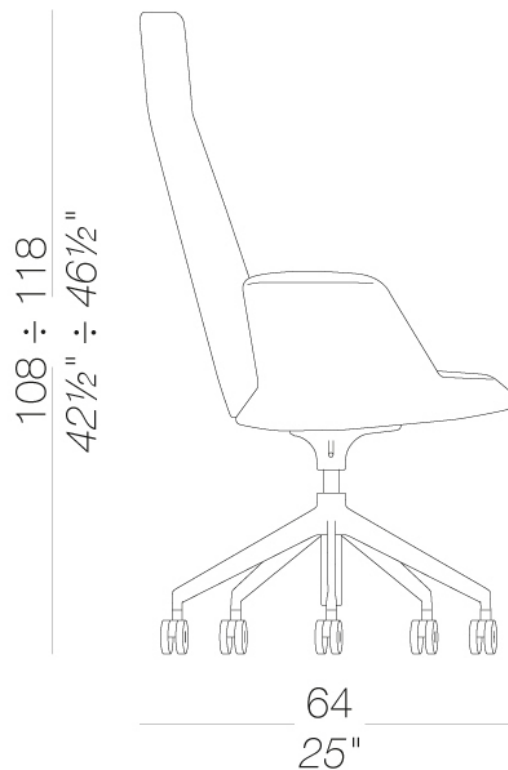
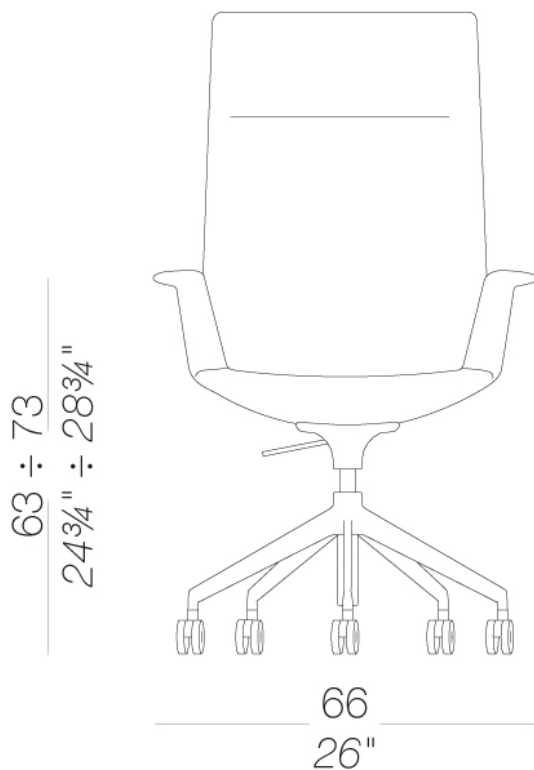
# UNO

Francesco Rota | 2016

## | S253 Pyramidal base with headrest

Height adjustable executive chair with 5 star swivel base in sandblasted aluminium or powder coated and self-braking castors. Seat and back with internal metal frame upholstered with fire resistant moulded foam and covered with fabric, ecoleather or leather. Tilting device also available.

TEST 1 IM - Medley, Remix



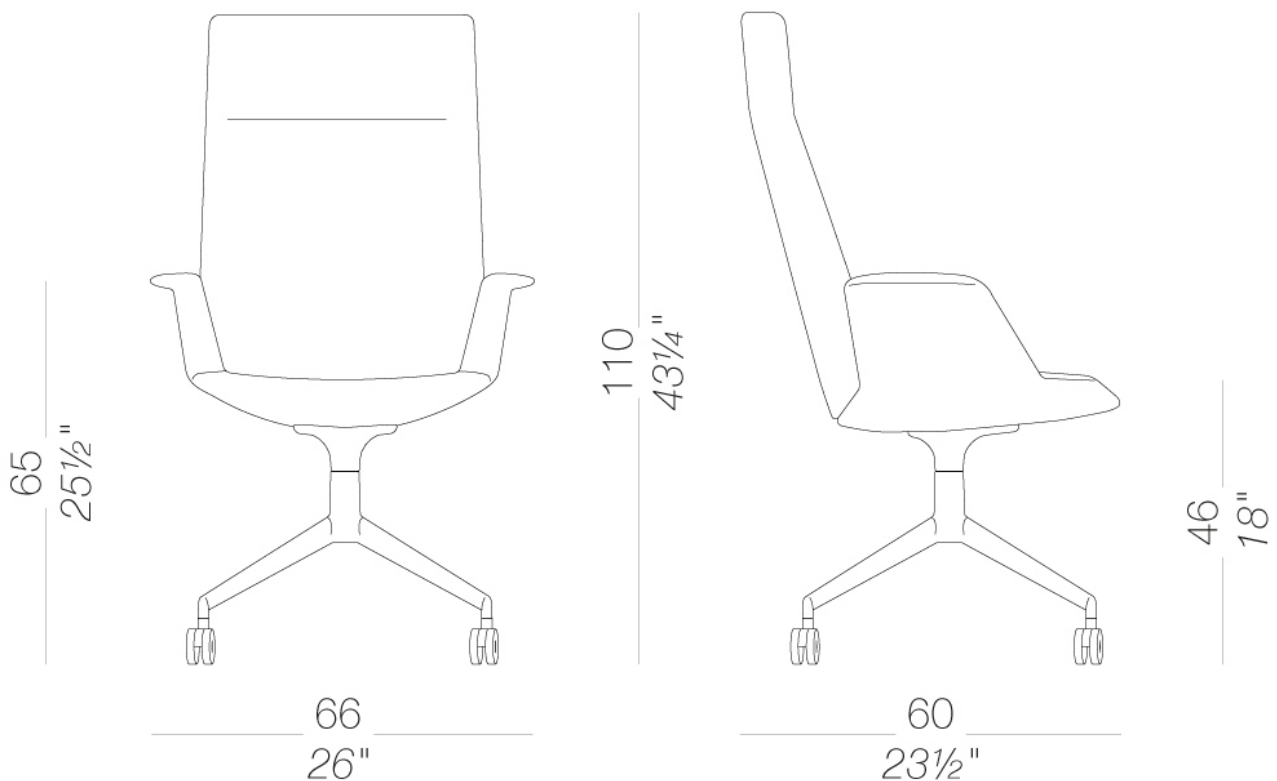
# UNO

Francesco Rota | 2016

## | S249 Trestle base with castors

Executive chair with trestle base in sandblasted aluminium or powder coated and self-braking castors. Seat and back with internal metal frame upholstered with fire resistant moulded foam and covered with fabric, ecoleather or leather. Tilting device also available.

TEST 1 IM - Medley, Remix



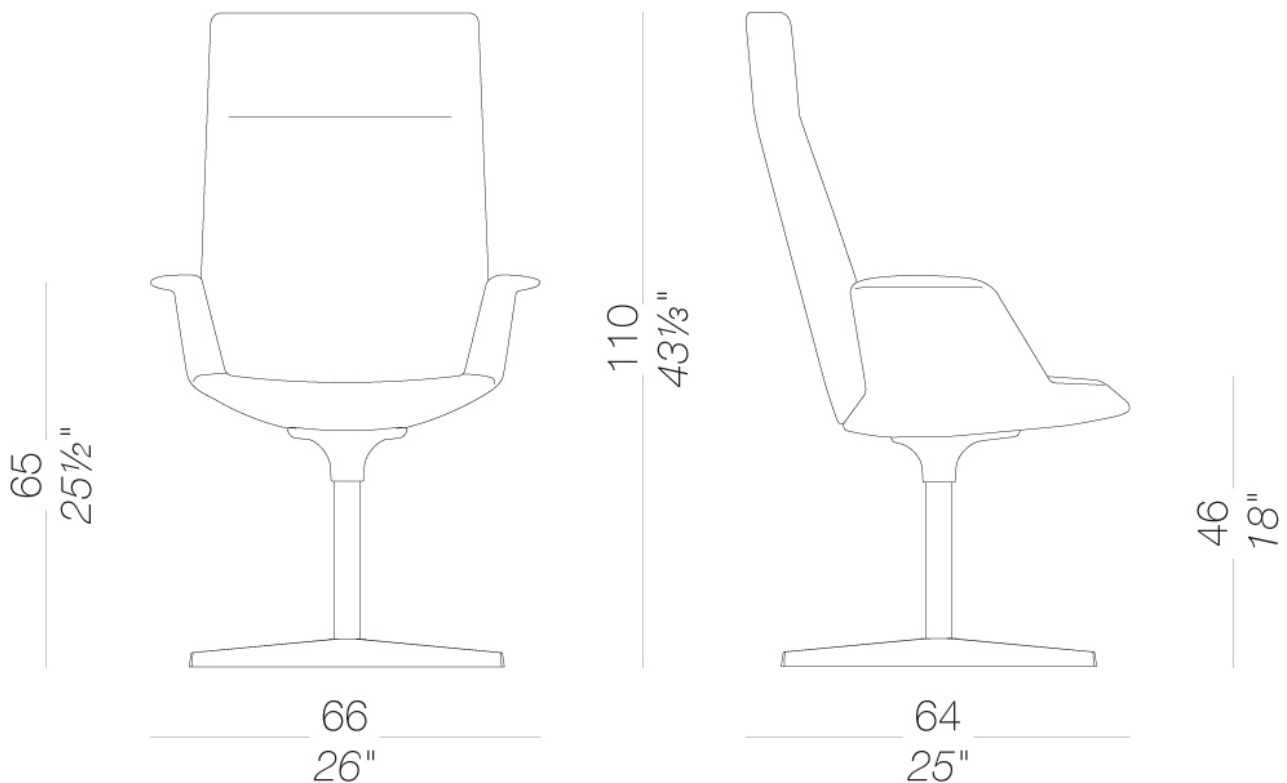
# UNO

Francesco Rota | 2016

## | S260 Lounge chair with headrest and star-shaped base

Executive chair with star swivel base in sandblasted aluminium or powder coated. Seat and back with internal metal frame upholstered with fire resistant moulded foam and covered with fabric, ecoleather or leather. Glides in polythene. Tilting device also available.

TEST 1 IM - Medley, Remix



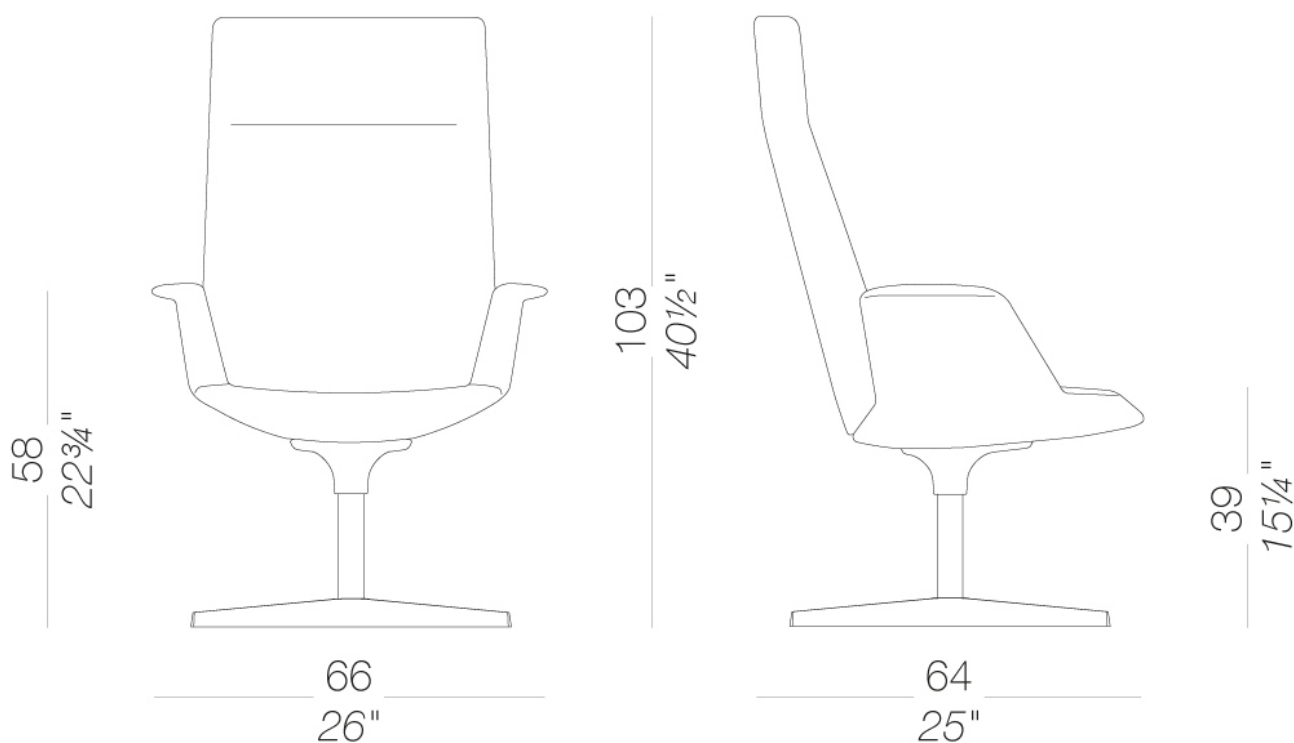


# UNO

Francesco Rota | 2016

## | S258 Lounge chair Reclining with headrest and star-shaped base

Lounge chair with star swivel base in sandblasted aluminium or powder coated. Seat and back with internal metal frame upholstered with fire resistant moulded foam and covered with fabric, ecoleather or leather. Glides in polythene. Tilting device also available.



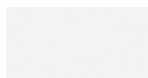
# UNO

Francesco Rota | 2016

## frame



powder coating  
black  
1 Colors



powder coating  
white  
1 Colors



metal  
aluminium  
1 Colors

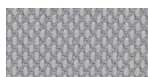
## upholstery



fabric  
Hallingdal 65 -  
Grade C  
58 Colors



fabric  
Canvas 2 - Grade C  
45 Colors



fabric  
Steelcut Trio 3 -  
Grade D  
54 Colors



fabric  
Remix 3 - Grade C  
72 Colors



fabric  
Clara 2 - Grade C  
24 Colors



fabric  
Fiord 2 - Grade C  
39 Colors



fabric  
Divina MD - Grade  
27 Colors



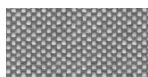
fabric  
Divina Melange 3 -  
Grade D  
38 Colors



fabric  
Tonica 2 - Grade C  
39 Colors



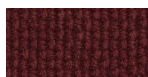
fabric  
Medley - Grade A  
37 Colors



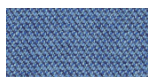
fabric  
Maya - Grade A  
43 Colors



fabric  
Jet - Grade A  
66 Colors



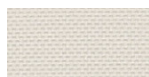
fabric  
Lapalma Smart -  
Grade C  
18 Colors



fabric  
Capture - Grade B  
43 Colors



fabric  
Crisp - Grade B  
40 Colors



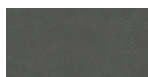
fabric  
Nattè - Grade B  
30 Colors



fabric  
Iris - Grade B  
24 Colors



fabric  
Steelcut 3 - Grade  
40 Colors



soft-leather  
soft-leather  
7 Colors



ecoleather  
GRIMM FR - Grade  
A  
32 Colors



ecoleather  
Valencia - Grade B  
66 Colors

**consult the portfolio for the range of colors, fabrics, eco-leather, soft-leather.**

## use and maintenance instructions

Clean all parts in wood, leather, fabric and metal with a damp cloth or a diluted neutral cleaner. Do not use cleaners with alcohol, bleach, solvent or abrasive products. Any liquid spilt on the product must be wiped up immediately. When lifting or moving the product, hold it on the structure and not under the seat. The product should not be subjected to unbalanced weights, as it is designed for a proper rest on the foothold (on four legs or on the base). Our company relieves from any responsibility in case of damage caused to fragile floors. Avoid any improper use of the product: do not step on the product, on the footrest or on the armrests. Avoid any movements that could compromise the proper functionality of the product or the safety of the users. Wood and leather, being natural materials, could be easily damaged. Small impurities or imperfections are within quality standard range. Do not expose the product to weather conditions or atmospheric agents, nor to heat sources over 40°C. Also products for outdoor use could be afflicted by atmospheric agents. The product could undergo possible exterior changes due to particular exposure to heat, humidity and saltiness. An appropriate and frequent maintenance and cleaning of the product enhances its durability. The product could change colour and shade, if exposed to direct sunlight. Maintenance has to be carried out by experienced staff. Dispose of the package only after assembling the product, in order to avoid the loss of ironmongery and components. Once the product has been dismantled, the product itself or its components must be given to the public garbage disposal system, according to the legislation in force.