

WING TIP

Anderssen & Voll | 2022



WING TIP

Anderssen & Voll | 2022

Who wouldn't want to be embraced like this, as if in flight, with those swallow-wing armrests that evoke the sky and lightness? Who but Anderssen&Voll could give shape to our desire to relax before a trip or a meeting? Together with the Norwegian duo, we have created the WING TIP lounge chair. With its elegant and discreet volumes, it's also ideal for waiting at an airport, in a museum, restaurant, office or home. And to live on our planet with respect and foresight, we have created WING TIP based on the principles of sustainability, from its shell made of a single recyclable material to its upholstery, without the use of glues, which envelops and protects. If we continue like this, swallows will always come back to see us

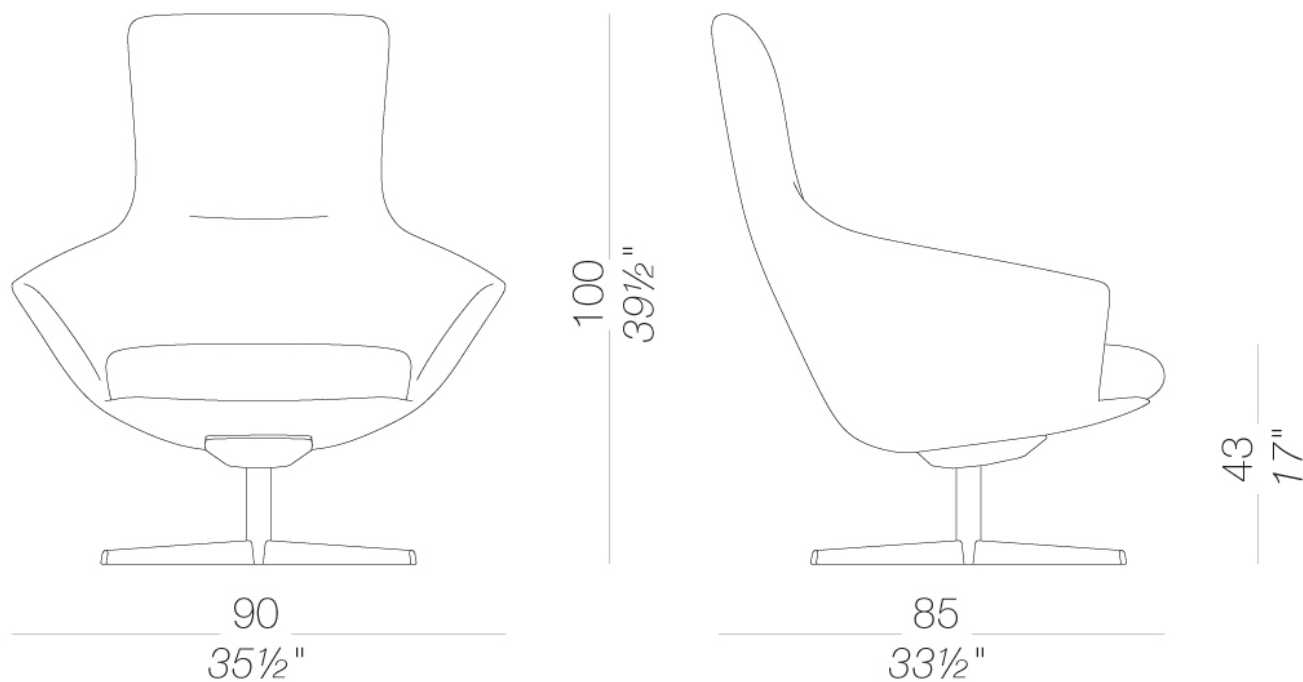


WING TIP

Anderssen & Voll | 2022

| S281 lounge chair star-shaped swivel base

Lounge chair with shell in polyurethane upholstered with injected polyurethane fire retardant foam and covered with fabric, soft leather or eco-leather. Trestle swivel base in aluminium powder coated. Tilting device also available. Glides in polythene.

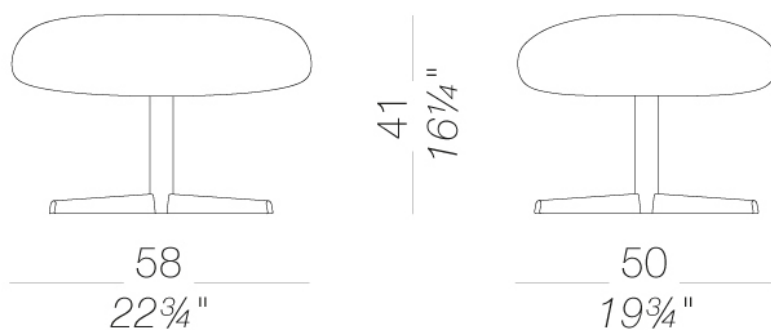


WING TIP

Anderssen & Voll | 2022

| S286 footrest upholstered with star-shaped metal base

Footstool with internal metal frame, upholstered with re-retardant moulded polyurethane foam and covered with fabric, soft leather or eco-leather. Star base in sandblasted aluminium or powder coated. Glides in polythene.



WING TIP

Anderssen & Voll | 2022

frame



powder coating
black
1 Colors

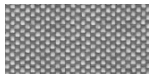


powder coating
white
1 Colors

upholstery



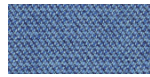
fabric
Jet - Grade A
66 Colors



fabric
Maya - Grade A
43 Colors



fabric
Medley - Grade A
37 Colors



fabric
Capture - Grade B
43 Colors



fabric
Crisp - Grade B
40 Colors



fabric
Nattè - Grade B
30 Colors



fabric
Ilris - Grade B
24 Colors



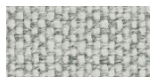
fabric
Canvas 2 - Grade C
45 Colors



fabric
Clara 2 - Grade C
24 Colors



fabric
Fiord 2 - Grade C
39 Colors



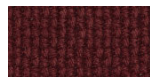
fabric
Hallingdal 65 -
Grade C
58 Colors



fabric
Remix 3 - Grade C
72 Colors



fabric
Tonica 2 - Grade C
39 Colors



fabric
Lapalma Smart -
Grade C
18 Colors



fabric
Divina MD - Grade D
27 Colors



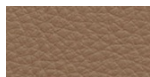
fabric
Divina Melange 3 -
Grade D
38 Colors



fabric
Steelcut 3 - Grade D
40 Colors



fabric
Steelcut Trio 3 -
Grade D
54 Colors



soft-leather
Soft-leather
17 Colors



ecoleather
GRIMM FR - Grade
A
32 Colors



ecoleather
Valencia - Grade B
66 Colors



fabric
Grain - Grade. B
50 Colors



fabric
Re-wool - Grade C
21 Colors

consult the portfolio for the range of colors, fabrics, eco-leather, soft-leather.

use and maintenance instructions

Clean all parts in wood, leather, fabric and metal with a damp cloth or a diluted neutral cleaner. Do not use cleaners with alcohol, bleach, solvent or abrasive products. Any liquid spilt on the product must be wiped up immediately. When lifting or moving the product, hold it on the structure and not under the seat. The product should not be subjected to unbalanced weights, as it is designed for a proper rest on the foothold (on four legs or on the base). Our company relieves from any responsibility in case of damage caused to fragile floors. Avoid any improper use of the product: do not step on the product, on the footrest or on the armrests. Avoid any movements that could compromise the proper functionality of the product or the safety of the users. Wood and leather, being natural materials, could be easily damaged. Small impurities or imperfections are within quality standard range. Do not expose the product to weather conditions or atmospheric agents, nor to heat sources over 40°C. Also products for outdoor use could be afflicted by atmospheric agents. The product could undergo possible exterior changes due to particular exposure to heat, humidity and saltiness. An appropriate and frequent maintenance and cleaning of the product enhances its durability. The product could change colour and shade, if exposed to direct sunlight. Maintenance has to be carried out by experienced staff. Dispose of the package only after assembling the product, in order to avoid the loss of ironmongery and components. Once the product has been dismantled, the product itself or its components must be given to the public garbage disposal system, according to the legislation in force.