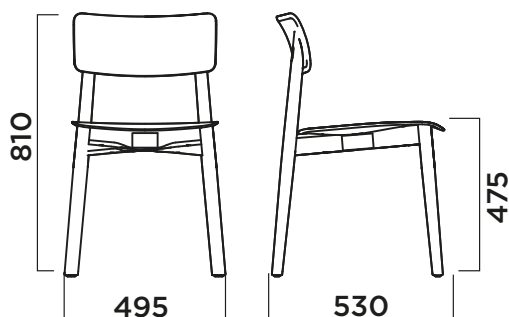


EASTWOOD chair

5080-WLGP

Design Andreas Ostwald



FRAME

TELAIO
BASTIDOR

Solid ash

Frassino massello
Fresno macizo



FRVAN



FRTA04

SEAT AND BACKREST

SEDUTA E SCHIENALE
ASIENTO Y RESPALDO

Polypropylene + Talc

Polipropilene + Talco
Polipropileno + Talco



S020



R8022



S022



P421C



S503

FINISHING

FINITURA
ACABADO

Acrylic paint, matt finish (5 gloss)

Pittura acrilica, finitura opaca (5 gloss)
Acrylic paint, matt finish (5 gloss)

FEET

PIEDINI
PIES DE APOYO

Polypropylene

Polipropilene
Polipropileno