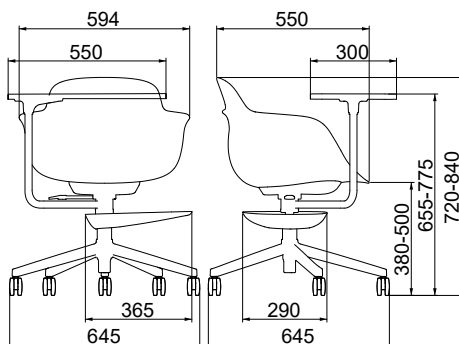


SICLA EDU

5040-E5SP

Design Claus Breinholt



BASE

BASE

BASE

Support polished die casting aluminium. Base polished aluminium 5 star . Support and base in aluminium painted with epoxy electro-static embossed powder with average thickness of 50 μ .
 Supporto e base in alluminio con verniciatura a polveri epossipoliestere spessore medio di 50 μ
 Soporte de aluminio fundido a presión pulido Base de aluminio pulido de 5 radios Soporte y base de aluminio con recubrimiento en polvo epoxi gofrado con 50 μ de espesor medio.



00L



30



31

SHELL

SCocca

CARCASA

Polypropylene + Glass fiber

Polipropilene + Fibra di vetro

Polipropileno + Fibra de vidrio



S020



R8022



S514



S503



S513



S011

WRITING TABLET

TAVOLETTA DA SCRITTURA

WRITING TABLET

Swivel tablet arm in HPL. Polypropylene holder below seat.

Tavoletta scrittoio orbitante in HPL. Ripiano sottosedio in polipropilene.

Brazo pala abatible de HPL. Portalibros bajo el asiento.



HPL03



HPL02

CASTORS

RUOTE

RUEDAS PIVOTANTES

Castors diam. 60 stem 11.

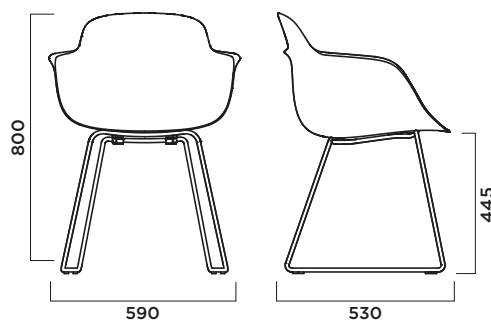
Ruote diam. 60 stem 11.

Ruedas pivotantes diám. 60 perno 11.

SICLA sled

5040-SLDP

Design Claus Breinholt



FRAME

TELAIO
BASTIDOR

Metal frame in drawn rod diameter 11 mm – Fe360.

Telaio in tondino Diametro 11 mm - Fe360.

Bastidor metálico de varilla de 11 mm de diámetro - Fe360



01



30



31

SHELL

SCOCCA
CARCASA

Polypropylene + Glass fiber

Polipropilene + Fibra di vetro

Polipropileno + Fibra de vidrio.



S020



R8022



S514



S503



S513



S011

FINISHING

FINITURA
ACABADO

Chrome plating with medium thickness 5 μ . Painted frame with epoxy-polyester powder with average thickness of 50 μ .

Telaio cromato con spessore medio 5 μ . Telaio verniciato con polveri epossi-poliesteri spessore medio 50 μ .

Cromado con 5 μ de espesor medio. Bastidor con recubrimiento en polvo epoxi-poliéster con 50 μ de espesor medio.

FEET

PIEDINI
PIES DE APOYO

Polypropylene

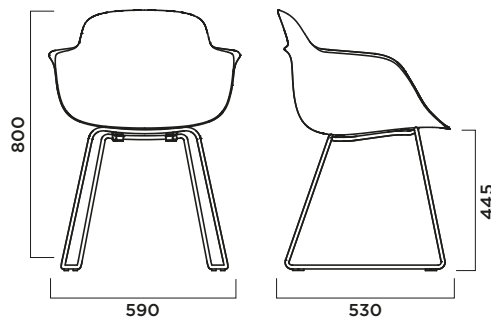
Polipropilene

Polipropileno

SICLA sled upholstered seat panel

5040-SLDS

Design Claus Breinholt



FRAME

TELAIO
BASTIDOR

Sides in round tube diameter 18 mm, thickness 2 mm, accordingly with UNI EN 10305-3 rule in Asform. Seat support in round tube diameter 16 mm, thickness 2 mm, accordingly with UNI EN 10305-3 rule in Asform.
Fianchi in tubo tondo diametro 18 mm, spessore 2 mm, secondo norma UNI EN 10305-3 in Asform. Supporto seduta in tubo tondo diametro 16 mm, spessore 2 mm, secondo norma UNI EN 10305-3 in Asform.
Laterales de tubo redondo de 18 mm de diámetro y 2 mm de espesor, conforme a la norma UNI EN 10305-3 en Asform. Soporte de asiento de tubo redondo de 16 mm de diámetro y 2 mm de espesor, conforme a la norma UNI EN 10305-3 en Asform.



01



30



31

SHELL

SCOCCA
CARCASA

Polypropylene + Glass fiber

Polipropilene + Fibra di vetro

Polipropileno + Fibra de vidrio



S020



R8022



S514



S503



S513



S011

UPHOLSTERY

TAPPEZZERIA
TAPIZADOS

- A Space
- B Eco Leather
- C Step, Step Melange, Nuvole
- D Reflect
- E Field, Oceanic , Yoredale
- F Steelcut Quartet, Canvas2
- G Divina3, Divina Melange, Fiord
- H Full Leather

FINISHING

FINITURA
ACABADO

Chrome plating with medium thickness 5 μ . Painted frame with epoxy-polyester powder with average thickness of 50 μ .

Telaio cromato con spessore medio 5 μ . Telaio verniciato con polveri epossipoliesteri spessore medio 50 μ .

Cromado con 5 μ de espesor medio. Bastidor con recubrimiento en polvo epoxi-poliéster con 50 μ de espesor medio.

FEET

PIEDINI
PIES DE APOYO

Polypropylene

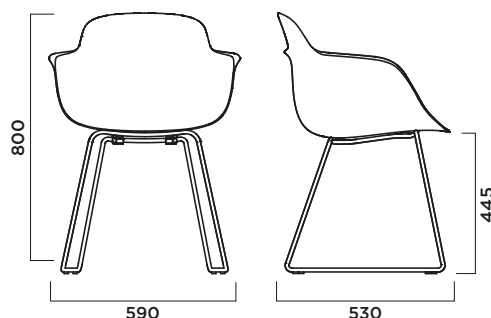
Polipropilene

Polipropileno

SICLA sled full upholstered panel

5040-SLDT

Design Claus Breinholt



FRAME

TELAIO
BASTIDOR

Sides in round tube diameter 18 mm, thickness 2 mm, accordingly with UNI EN 10305-3 rule in Asform. Seat support in round tube diameter 16 mm, thickness 2 mm, accordingly with UNI EN 10305-3 rule in Asform.
 Fianchi in tubo tondo diametro 18 mm, spessore 2 mm, secondo norma UNI EN 10305-3 in Asform. Supporto seduta in tubo tondo diametro 16 mm, spessore 2 mm, secondo norma UNI EN 10305-3 in Asform.
 Laterales de tubo redondo de 18 mm de diámetro y 2 mm de espesor, conforme a la norma UNI EN 10305-3 en Asform. Soporte de asiento de tubo redondo de 16 mm de diámetro y 2 mm de espesor, conforme a la norma UNI EN 10305-3 en Asform.



01



30



31

SHELL

SCOCCA
CARCASA

Polypropylene + Glass fiber

Polipropilene + Fibra di vetro

Polipropileno + Fibra de vidrio



S020



R8022



S514



S503



S513



S011

UPHOLSTERY

TAPPEZZERIA
TAPIZADOS

- A Space
- B Eco Leather
- C Step, Step Melange, Nuvole
- D Reflect
- E Field, Oceanic , Yoredale
- F Steelcut Quartet, Canvas2
- G Divina3, Divina Melange, Fiord
- H Full Leather

FINISHING

FINITURA
ACABADO

Chrome plating with medium thickness 5 μ . Painted frame with epoxy-polyester powder with average thickness of 50 μ .

Telaio cromato con spessore medio 5 μ . Telaio verniciato con polveri epossipoliesteri spessore medio 50 μ .

Cromado con 5 μ de espesor medio. Bastidor con recubrimiento en polvo epoxi-poliéster con 50 μ de espesor medio.

FEET

PIEDINI
PIES DE APOYO

Polypropylene

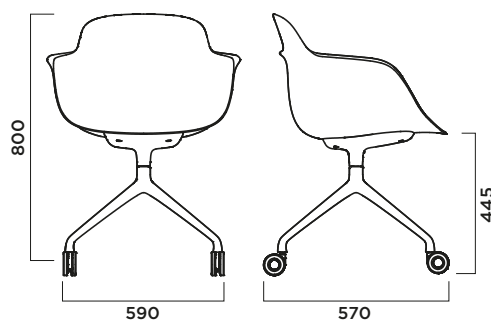
Polipropilene

Polipropileno

SICLA swivel with castors

5040-4SCP

Design Claus Breinholt



BASE

BASE

BASE

Polished aluminium 4 star base. Support polished die casting aluminium.

Base 4 razze in alluminio lucido. Supporto in alluminio pressofuso lucido.

Base de aluminio pulido de 4 radios Soporte de aluminio fundido a presión pulido



00L



30



31

SHELL

SCOCCA

CARCASA

Polypropylene + Glass fiber

Polipropilene + Fibra di vetro

Polipropileno + Fibra de vidrio.



S020



R8022



S514



S503



S513



S011

FINISHING

FINITURA

ACABADO

Base and support painted with epoxy-polyester powder with average thickness of 50 μ.

Base e supporto verniciati a polvere epossi-poliestere con spessore medio di 50 μ.

Base y soporte con recubrimiento en polvo epoxi-poliéster con 50 μ de espesor medio.

CASTORS

RUOTE

RUEDAS PIVOTANTES

Castors diam. 60 stem 11.

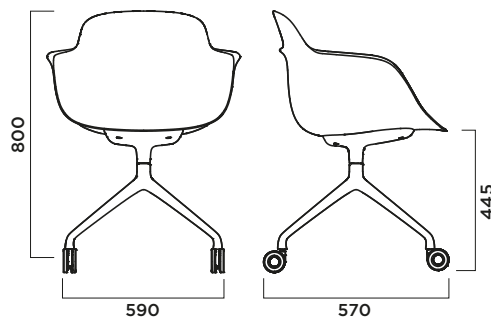
Ruote diam. 60 stem 11.

Ruedas pivotantes diám. 60 perno 11.

SICLA swivel with castors upholstered seat panel

5040-4SCS

Design Claus Breinholt



BASE

BASE

BASE

Polished aluminium 4 star base. Support polished die casting aluminium.

Base 4 razze in alluminio lucido. Supporto in alluminio pressofuso lucido.

Base de aluminio pulido de 4 radios Soporte de aluminio fundido a presión pulido



00L



30



31

SHELL

SCocca

CARCASA



S020



R8022



S514



S503



S513



S011

UPHOLSTERY

TAPPEZZERIA

TAPIZADOS

A Space

B Eco Leather

C Step, Step Melange, Nuvole

D Reflect

E Field, Oceanic , Yoredale

F Steelcut Quartet, Canvas2

G Divina3, Divina Melange, Fiord

H Full Leather

FINISHING

FINITURA

ACABADO

Base and support painted with epoxy-polyester powder with average thickness of 50 µ.

Base e supporto verniciati a polvere epossipoliester con spessore medio di 50 µ.

Base y soporte con recubrimiento en polvo epoxipoliéster con 50 µ de espesor medio.

CASTORS

RUOTE

RUEDAS PIVOTANTES

Castors diam. 60 stem 11.

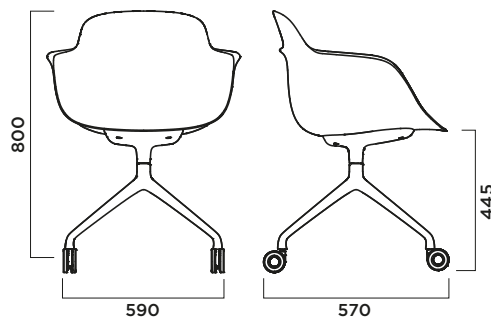
Ruote diam. 60 stem 11.

Ruedas pivotantes diám. 60 perno 11.

SICLA swivel with castors full upholstered panel

5040-4SCT

Design Claus Breinholt



BASE

BASE

BASE

Polished aluminium 4 star base. Support polished die casting aluminium.

Base 4 razze in alluminio lucido. Supporto in alluminio pressofuso lucido.

Base de aluminio pulido de 4 radios Soporte de aluminio fundido a presión pulido



00L



30



31

SHELL

SCOCCA

CARCASA

Polypropylene + Glass fiber

Polipropilene + Fibra di vetro

Polipropileno + Fibra de vidrio



S020



R8022



S514



S503



S513



S011

UPHOLSTERY

TAPPEZZERIA

TAPIZADOS

- A Space
- B Eco Leather
- C Step, Step Melange, Nuvole
- D Reflect 
- E Field, Oceanic , Yoredale
- F Steelcut Quartet, Canvas2
- G Divina3, Divina Melange, Fiord
- H Full Leather

FINISHING

FINITURA

ACABADO

Base and support painted with epoxy-polyester powder with average thickness of 50 μ.

Base e supporto verniciati a polvere epossipoliestere con spessore medio di 50 μ.

Base y soporte con recubrimiento en polvo epxi-poliéster con 50 μ de espesor medio.

CASTORS

RUOTE

RUEDAS PIVOTANTES

Castors diam. 60 stem 11.

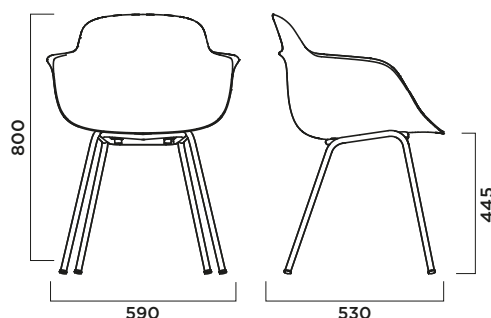
Ruote diam. 60 stem 11.

Ruedas pivotantes diám. 60 perno 11.

SICLA 4 legs

5040-4LGP

Design Claus Breinholt



FRAME

TELAIO
BASTIDOR

Sides in round tube diameter 18 mm, thickness 2 mm, accordingly with UNI EN 10305-3 rule in Asform. Seat support in round tube diameter 16 mm, thickness 2 mm, accordingly with UNI EN 10305-3 rule in Asform.
Fianchi in tubo tondo diametro 18 mm, spessore 2 mm, secondo norma UNI EN 10305-3 in Asform. Supporto seduta in tubo tondo diametro 16 mm, spessore 2 mm, secondo norma UNI EN 10305-3 in Asform.
Laterales de tubo redondo de 18 mm de diámetro y 2 mm de espesor, conforme a la norma UNI EN 10305-3 en Asform. Soporte de asiento de tubo redondo de 16 mm de diámetro y 2 mm de espesor, conforme a la norma UNI EN 10305-3 en Asform.



01 30 31

SHELL

SCOCCA
CARCASA

Polypropylene + Glass fiber

Polipropilene + Fibra di vetro

Polipropileno + Fibra de vidrio.



S020 R8022 S514 S503 S513 S011

FINISHING

FINITURA
ACABADO

Chrome plating with medium thickness 5 μ . Painted frame with epoxy-polyester powder with average thickness of 50 μ .

Telaio cromato con spessore medio 5 μ . Telaio verniciato con polveri epossi-poliéster spessore medio 50 μ .

Cromado con 5 μ de espesor medio. Bastidor con recubrimiento en polvo epoxi-poliéster con 50 μ de espesor medio.

FEET

PIEDINI
PIES DE APOYO

Polypropylene

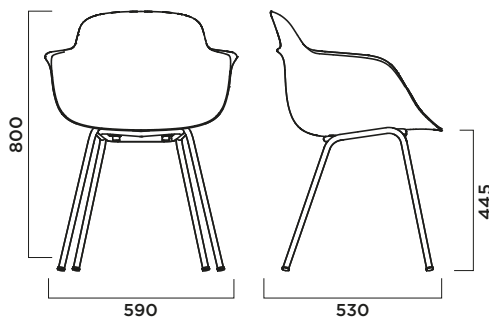
Polipropilene

Polipropileno

SICLA 4 legs upholstered seat panel

5040-4LGS

Design Claus Breinholt



FRAME

TELAIO
BASTIDOR

Metal frame in drawn rod diameter 11 mm – Fe360.

Telaio in tondino Diametro 11 mm - Fe360.

Bastidor metálico de varilla de 11 mm de diámetro - Fe360



01

30

31

SHELL

SCOCCA
CARCASA

Polypropylene + Glass fiber

Polipropilene + Fibra di vetro

Polipropileno + Fibra de vidrio



S020

R8022

S514

S503

S513

S011

UPHOLSTERY

TAPPEZZERIA
TAPIZADOS

- A Space
- B Eco Leather
- C Step, Step Melange, Nuvole
- D Reflect 
- E Field, Oceanic , Yoredale
- F Steelcut Quartet, Canvas2
- G Divina3, Divina Melange, Fiord
- H Full Leather

FINISHING

FINITURA
ACABADO

Chrome plating with medium thickness 5 μ . Painted frame with epoxy-polyester powder with average thickness of 50 μ .

Telaio cromato con spessore medio 5 μ . Telaio verniciato con polveri epossi-poliestere spessore medio 50 μ .

Cromado con 5 μ de espesor medio. Bastidor con recubrimiento en polvo epoxi-poliéster con 50 μ de espesor medio.

FEET

PIEDINI
PIES DE APOYO

Polypropylene

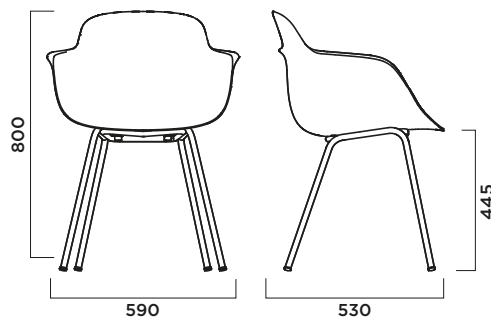
Polipropilene

Polipropileno

SICLA 4 legs full upholstered panel

5040-4LGT

Design Claus Breinholt



FRAME

TELAIO
BASTIDOR

Metal frame in drawn rod diameter 11 mm – Fe360.

Telaio in tondino Diametro 11 mm - Fe360.

Bastidor metálico de varilla de 11 mm de diámetro - Fe360



01

30

31

SHELL

SCOCCA
CARCASA

Polypropylene + Glass fiber

Polipropilene + Fibra di vetro

Polipropileno + Fibra de vidrio



S020

R8022

S514

S503

S513

S011

UPHOLSTERY

TAPPEZZERIA
TAPIZADOS

- A Space
- B Eco Leather
- C Step, Step Melange, Nuvole
- D Reflect 
- E Field, Oceanic , Yoredale
- F Steelcut Quartet, Canvas2
- G Divina3, Divina Melange, Fiord
- H Full Leather

FINISHING

FINITURA
ACABADO

Chrome plating with medium thickness 5 μ . Painted frame with epoxy-polyester powder with average thickness of 50 μ .

Telaio cromato con spessore medio 5 μ . Telaio verniciato con polveri epossi-poliestere spessore medio 50 μ .

Cromado con 5 μ de espesor medio. Bastidor con recubrimiento en polvo epoxi-poliéster con 50 μ de espesor medio.

FEET

PIEDINI
PIES DE APOYO

Polypropylene

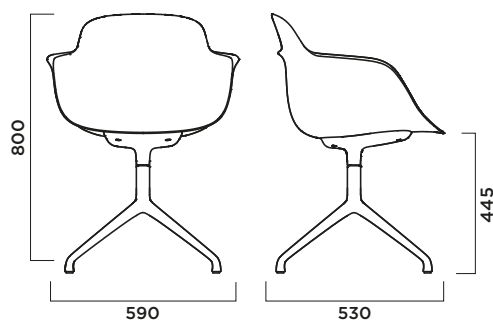
Polipropilene

Polipropileno

SICLA 4 star aluminium base

5040-4STP

Design Claus Breinholt



BASE

BASE

BASE

Polished aluminium 4 star base. Support polished die casting aluminium

Base 4 razze in alluminio lucido. Supporto in alluminio pressofuso lucido.

Base de aluminio pulido de 4 radios Soporte de aluminio fundido a presión pulido



00L



30



31

SHELL

SCOCCA

CARCASA

Polypropylene + Glass fiber

Polipropilene + Fibra di vetro

Polipropileno + Fibra de vidrio.



S020



R8022



S514



S503



S513



S011

FINISHING

FINITURA

ACABADO

Base and support painted with epoxy-polyester powder with average thickness of 50 μ .

Base e supporto verniciati a polvere epossi-poliestere con spessore medio di 50 μ .

Base y soporte con recubrimiento en polvo epoxi-poliéster con 50 μ de espesor medio.

FEET

PIEDINI

PIES DE APOYO

Polypropylene.

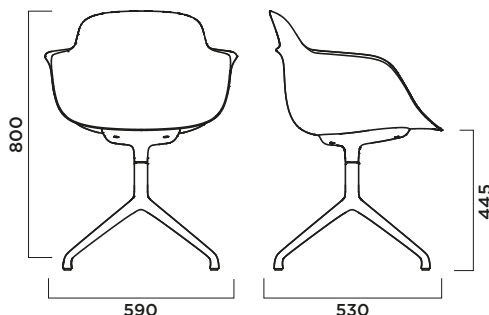
Polipropilene

Polipropileno

SICLA aluminium base upholstered seat panel

5040-4STS

Design Claus Breinholt



BASE

BASE
BASE

Polished aluminium 4 star base. Support polished die casting aluminium

Base 4 razze in alluminio lucido. Supporto in alluminio pressofuso lucido.

Base de aluminio pulido de 4 radios Soporte de aluminio fundido a presión pulido



00L

30

31

SHELL

SCocca
CARCASA

Polypropylene + Glass fiber

Polipropilene + Fibra di vetro

Polipropileno + Fibra de vidrio



S020

R8022

S514

S503

S513

S011

UPHOLSTERY

TAPPEZZERIA
TAPIZADOS

- A Space
- B Eco Leather
- C Step, Step Melange, Nuvole
- D Reflect
- E Field, Oceanic , Yoredale
- F Steelcut Quartet, Canvas2
- G Divina3, Divina Melange, Fiord
- H Full Leather

FINISHING

FINITURA
ACABADO

Base and support painted with epoxy-polyester powder with average thickness of 50 µ.

Base e supporto verniciati a polvere epossipoliestere con spessore medio di 50 µ.

Base y soporte con recubrimiento en polvo epxi-poliéster con 50 µ de espesor medio.

FEET

PIEDINI
PIES DE APOYO

Polypropylene

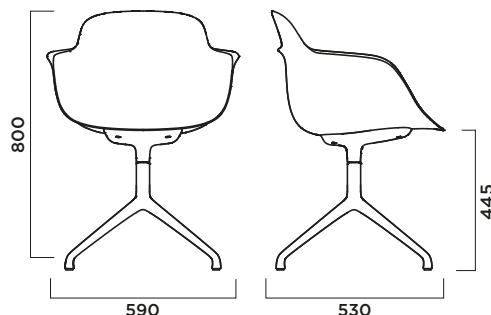
Polipropilene

Polipropileno

SICLA aluminium base full upholstered panel

5040-4STT

Design Claus Breinholt



BASE

BASE
BASE

Polished aluminium 4 star base. Support polished die casting aluminium

Base 4 razze in alluminio lucido. Supporto in alluminio pressofuso lucido.

Base de aluminio pulido de 4 radios Soporte de aluminio fundido a presión pulido



00L



30



31

SHELL

SCOCCA
CARCASA

Polypropylene + Glass fiber

Polipropilene + Fibra di vetro

Polipropileno + Fibra de vidrio



S020



R8022



S514



S503



S513



S011

UPHOLSTERY

TAPPEZZERIA
TAPIZADOS

- A Space
- B Eco Leather
- C Step, Step Melange, Nuvole
- D Reflect 
- E Field, Oceanic , Yoredale
- F Steelcut Quartet, Canvas2
- G Divina3, Divina Melange, Fiord
- H Full Leather

FINISHING

FINITURA
ACABADO

Base and support painted with epoxy-polyester powder with average thickness of 50 μ .

Base e supporto verniciati a polvere epossipoliesteri con spessore medio di 50 μ .

Base y soporte con recubrimiento en polvo epoxi-poliéster con 50 μ de espesor medio.

FEET

PIEDINI
PIES DE APOYO

Polypropylene.

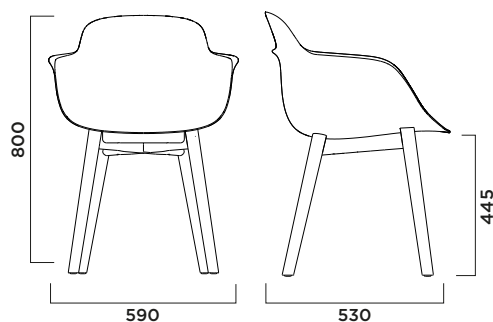
Polipropilene

Polipropileno

SICLA wooden legs

5040-WLGP

Design Claus Breinholt



WOODEN LEGS

GAMBE LEGNO
PATAS DE MADERA

Solid natural ash
Frassino naturale massello
Fresno natural macizo



FRVAN



FRTA04

SHELL

SCOCCA
CARCASA

Polypropylene + Glass fiber.
Polipropilene + Fibra di vetro
Polipropileno + Fibra de vidrio.



S020



R8022



S514



S503



S513



S011

FEET

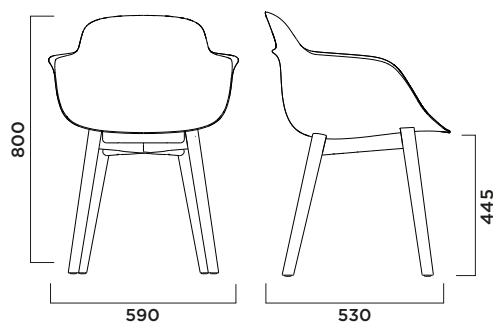
PIEDINI
PIES DE APOYO

Polypropylene
Polipropilene
Polipropileno

SICLA wooden legs upholstered seat panel

5040-WLGS

Design Claus Breinholt



WOODEN LEGS

GAMBE LEGNO
PATAS DE MADERA

Solid natural ash
Frassino naturale massello
Fresno natural macizo



FRVAN



FRTA04

SHELL

SCOCCA
CARCASA

Polypropylene + Glass fiber.
Polipropilene + Fibra di vetro
Polipropileno + Fibra de vidrio.



S020



R8022



S514



S503



S513



S011

UPHOLSTERY

TAPPEZZERIA
TAPIZADOS

- A** Space
- B** Eco Leather
- C** Step, Step Melange, Nuvole
- D** Reflect ♻️
- E** Field, Oceanic ♻️, Yoredale
- F** Steelcut Quartet, Canvas2
- G** Divina3, Divina Melange, Fiord
- H** Full Leather

FEET

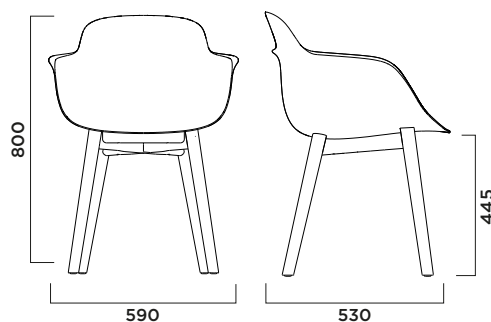
PIEDINI
PIES DE APOYO

Polypropylene
Polipropilene
Polipropileno

SICLA wooden legs full upholstered panel

5040-WLGT

Design Claus Breinholt



WOODEN LEGS

GAMBE LEGNO
PATAS DE MADERA

Solid natural ash
Frassino naturale massello
Fresno natural macizo



FRVAN



FRTA04

SHELL

SCOCCA
CARCASA

Polypropylene + Glass fiber.
Polipropilene + Fibra di vetro
Polipropileno + Fibra de vidrio.



S020



R8022



S514



S503



S513



S011

UPHOLSTERY

TAPPEZZERIA
TAPIZADOS

- A** Space
- B** Eco Leather
- C** Step, Step Melange, Nuvole
- D** Reflect ♻️
- E** Field, Oceanic ♻️, Yoredale
- F** Steelcut Quartet, Canvas2
- G** Divina3, Divina Melange, Fiord
- H** Full Leather

FEET

PIEDINI
PIES DE APOYO

Polypropylene
Polipropilene
Polipropileno