

Audo

COPENHAGEN



AFTEROOM BAR CHAIR PLUS
Designed by *Afteroom*



AFTERROOM BAR CHAIR PLUS
Designed by *Afteroom*

Bar chair with tubular powder coated steel, with a circular footrest. Upholstered seat and extended, upholstered or walnut veneer backrest.



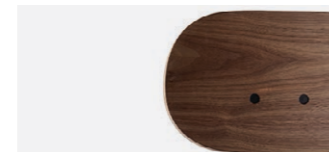
PRODUCT OPTIONS

Seat

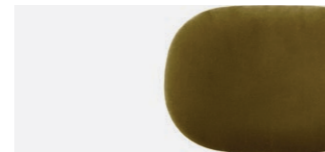


WITH UPHOLSTERY

Backrest options



WALNUT



WITH UPHOLSTERY

Powder coated steel base



BLACK STEEL

Spec options

Available in fabrics from our upholstery programme. Standard lead times apply.

For custom upholstery, please refer to the guiding textile/leather consumption:
COM: 0,59 m / 0,649 yds
COL: 0,88 m² / 9,4776 sqft

Prices excl. custom upholstery are equal to Price Category 1 Textile or Leather. Contact Sales support for approval of custom upholstery and to place your order.

The above textile consumption is only valid for textile rolls with a width equal to or greater than 140 cm. For smaller textile rolls, please contact Sales Support for guidance. For textile with pattern, please expect a higher usage for correct pattern fitting. Please contact Sales Support for guidance.

PRODUCT TYPE
Counter and bar chair

COLLI
1

ENVIRONMENT
Indoor

DIMENSIONS
H: 107,5 cm / 42,3"
SH: 73,5 cm / 28,9"
W: 50 cm / 19,7"
D: 55 cm / 21,2"

PRODUCTION PROCESS
The base is made of bended and welded steel tubes. The base has a powder coated finish. The seat is milled MDF with a painted finish. The upholstered seat is made of plywood upholstery shell, foam and upholstery. The walnut back rest is made of curved walnut veneer.

TECHNICAL SPECIFICATIONS

COLOUR
Seat and backrest with upholstery
Dependent upon selected upholstery

Backrest
Walnut or dependent upon selected upholstery

Base
Black RAL (RAL 9005)

GLOSS
Gloss 10-20

MATERIALS
Powder coated steel, walnut veneer, plywood, CAL117 foam (50N / 50kg), upholstery.

WEIGHT
5,4 kg / 11,9 lb

TEST
EN1022:2005, L2
EN16139:2013, L2

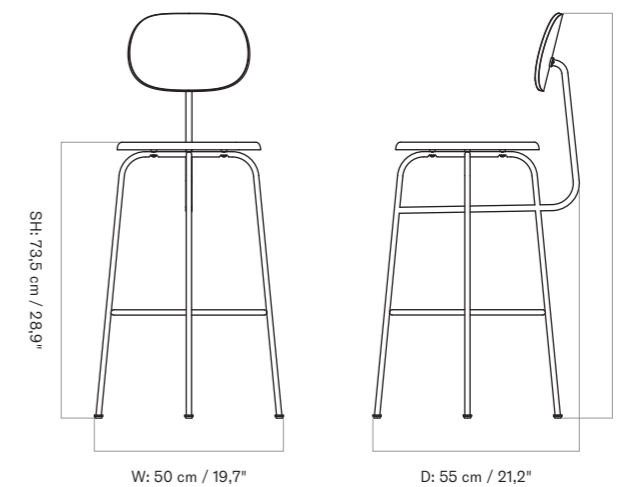
CERTIFICATIONS
TSCA title VI compliant

Declare.

PACKAGING TYPE
Brown box

PACKAGING MEASUREMENTS
(H x W x D)
101 cm x 48 cm x 48 cm /
39,8" x 18,9" x 18,9"

MATERIALS & MAINTENANCE
Please visit audocph.com for materials, care and maintenance instructions.



Audo

COPENHAGEN



AFTEROOM COUNTER CHAIR PLUS
Designed by *Afteroom*



AFTERROOM COUNTER CHAIR PLUS

Designed by *Afteroom*

Counter chair with tubular powder coated steel, with a circular footrest. Upholstered seat and extended, upholstered or walnut veneer backrest.



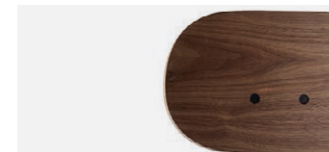
PRODUCT OPTIONS

Seat

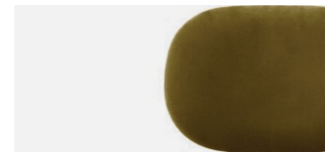


WITH UPHOLSTERY

Backrest options



WALNUT



WITH UPHOLSTERY

Powder coated steel base



BLACK STEEL

Spec options

Available in fabrics from our upholstery programme. Standard lead times apply.

For custom upholstery, please refer to the guiding textile/leather consumption:
COM: 0,59 m / 0,649 yds
COL: 0,88 m² / 9,4776 sqft

Prices excl. custom upholstery are equal to Price Category 1 Textile or Leather. Contact Sales support for approval of custom upholstery and to place your order.

The above textile consumption is only valid for textile rolls with a width equal to or greater than 140 cm. For smaller textile rolls, please contact Sales Support for guidance. For textile with pattern, please expect a higher usage for correct pattern fitting. Please contact Sales Support for guidance.

PRODUCT TYPE
Counter and bar chair

COLLI
1

ENVIRONMENT
Indoor

DIMENSIONS
H: 97 cm / 38,2"
SH: 63,5 cm / 25"
W: 48 cm / 18,9"
D: 54 cm / 21,2"

PRODUCTION PROCESS
The base is made of bended and welded steel tubes. The base has a powder coated finish. The seat is milled MDF with a painted finish. The upholstered seat is made of plywood upholstery shell, foam and upholstery. The walnut back rest is made of curved walnut veneer.

TECHNICAL SPECIFICATIONS

COLOUR
Seat and backrest with upholstery
Dependent upon selected upholstery

Backrest
Walnut or dependent upon selected upholstery

Base
Black RAL (RAL 9005)

GLOSS
Gloss 10-20

MATERIALS
Powder coated steel, walnut veneer, plywood, CAL117 foam (50N / 50kg), upholstery.

WEIGHT
5 kg / 11 lb

TEST
EN1022:2005, L2
EN16139:2013, L2

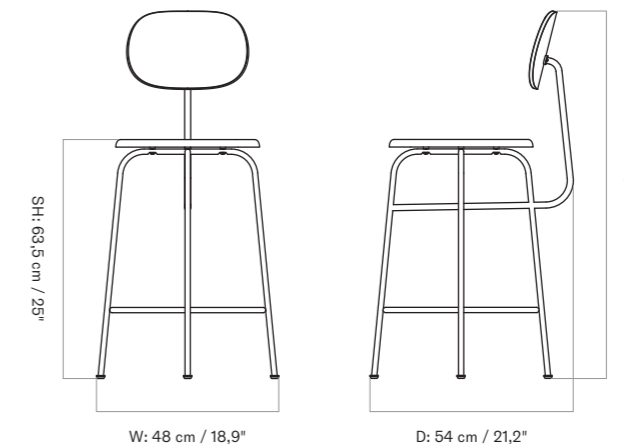
CERTIFICATIONS
TSCA title VI compliant

Declare.

PACKAGING TYPE
Brown box

PACKAGING MEASUREMENTS
(H x W x D)
101 cm x 48 cm x 48 cm /
39,8" x 18,9" x 18,9"

MATERIALS & MAINTENANCE
Please visit audocph.com for materials, care and maintenance instructions.



Audo

COPENHAGEN



AFTERROOM STOOL COLLECTION
Designed by *Afteroom*

Stool with tubular powder coated steel, with a circular footrest. Available with or without upholstered seat.



PRODUCT OPTIONS

Seat



WITHOUT UPHOLSTERY

WITH UPHOLSTERY

Powder coated steel base



BLACK STEEL

Spec options

Available in fabrics from our upholstery programme. Standard lead times apply.

For custom upholstery, please refer to the guiding textile/leather consumption:
COM: 0,59 m / 0,649 yds
COL: 0,88 m² / 9,4776 sqft

Prices excl. custom upholstery are equal to Price Category 1 Textile or Leather. Contact Sales support for approval of custom upholstery and to place your order.

The above textile consumption is only valid for textile rolls with a width equal to or greater than 140 cm. For smaller textile rolls, please contact Sales Support for guidance. For textile with pattern, please expect a higher usage for correct pattern fitting. Please contact Sales Support for guidance.

PRODUCT TYPE
Stool

COLLI
1

ENVIRONMENT
Indoor

DIMENSIONS
H: 46 cm / 18,1"
Ø: 45,4 cm / 17,9"
D: 45,4 cm / 17,9"

PRODUCTION PROCESS
The base is made of bent, welded steel tubes with a powder coated finish. The seat is milled MDF with a painted finish. The upholstered seat is made of plywood upholstery shell, foam and fabric.

TECHNICAL SPECIFICATIONS

COLOUR

Seat without upholstery
Black (RAL 9005)

Seat with upholstery
Dependent upon selected upholstery

Base
Black (RAL 9005)

GLOSS
Gloss 10-20

MATERIALS
Powder coated steel, painted MDF, CAL117, upholstery

WEIGHT
Without upholstery: 3,5 kg / 7,7 lb
With upholstery: 2,9 kg / 6,4 lb

TEST
N / A

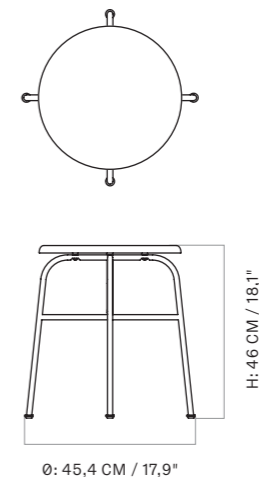
CERTIFICATIONS
TSCA title VI compliant

Declare.

PACKAGING TYPE
Brown box

PACKAGING MEASUREMENTS
(H × W × D)
49 cm × 40 cm × 40 cm /
19,3" × 15,7" × 15,7"

MATERIALS & MAINTENANCE
Please visit audocph.com for materials, care and maintenance instructions.





AFTERROOM COUNTER STOOL
Designed by *Afteroom*

Counter stool with tubular powder coated steel, with a circular footrest. Available with or without upholstered seat.



PRODUCT OPTIONS

Seat



WITHOUT UPHOLSTERY



WITH UPHOLSTERY

Powder coated steel base



BLACK STEEL

Spec options

Available in fabrics from our upholstery programme. Standard lead times apply.

For custom upholstery, please refer to the guiding textile/leather consumption:
COM: 0,59 m / 0,649 yds
COL: 0,88 m² / 9,4776 sqft

Prices excl. custom upholstery are equal to Price Category 1 Textile or Leather. Contact Sales support for approval of custom upholstery and to place your order.

The above textile consumption is only valid for textile rolls with a width equal to or greater than 140 cm. For smaller textile rolls, please contact Sales Support for guidance. For textile with pattern, please expect a higher usage for correct pattern fitting. Please contact Sales Support for guidance.

PRODUCT TYPE
Counter and bar stool

COLLI
1

ENVIRONMENT
Indoor

DIMENSIONS
H: 63,5 cm / 25"
Ø: 48 cm / 18,9"

PRODUCTION PROCESS
The base is made of bended and welded steel tubes. The base has a powder coated finish. The seat is milled MDF with a painted finish. The upholstered seat is made on plywood upholstery shell, foam and upholstery.

TECHNICAL SPECIFICATIONS

COLOUR

Seat without upholstery
Black (RAL 9005)

Seat with upholstery
Dependent upon selected upholstery

Base
Black (RAL 9005)

GLOSS
Gloss 10-20

MATERIALS
Powder coated steel, painted MDF, CAL117 foam, upholstery

WEIGHT
Without upholstery: 4,2 kg / 9,3 lb
With upholstery: 3,6 kg / 8 lb

TEST
N / A

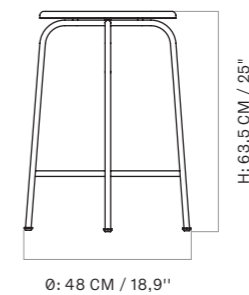
CERTIFICATIONS
TSCA title VI compliant

Declare.

PACKAGING TYPE
Brown box

PACKAGING MEASUREMENTS
(H × W × D)
75,5 cm × 43,3 cm × 43,3 cm /
29,7" × 17" × 17"

MATERIALS & MAINTENANCE
Please visit audocph.com for materials, care and maintenance instructions.





AFTERROOM BAR STOOL

Designed by *Afterroom*

Bar stool with tubular powder coated steel, with a circular footrest.



PRODUCT OPTIONS

Seat



WITH UPHOLSTERY

Powder coated steel base



BLACK STEEL

Spec options

Available in fabrics from our upholstery programme. Standard lead times apply.

For custom upholstery, please refer to the guiding textile/leather consumption:
COM: 0,59 m / 0,649 yds
COL: 0,88 m² / 9,4776 sqft

Prices excl. custom upholstery are equal to Price Category 1 Textile or Leather. Contact Sales support for approval of custom upholstery and to place your order.

The above textile consumption is only valid for textile rolls with a width equal to or greater than 140 cm. For smaller textile rolls, please contact Sales Support for guidance. For textile with pattern, please expect a higher usage for correct pattern fitting. Please contact Sales Support for guidance.

PRODUCT TYPE
Counter and bar stool

COLLI
1

ENVIRONMENT
Indoor

DIMENSIONS
H: 73,5 cm / 28,9"
Ø: 50 cm / 19,7"

PRODUCTION PROCESS
The base is made of bended and welded steel tubes. The base has a powder coated finish. The seat is milled MDF with a painted finish. The upholstered seat is made on plywood upholstery shell, foam and upholstery.

TECHNICAL SPECIFICATIONS

COLOUR
Seat with upholstery
Dependent upon selected upholstery

Base
Black (RAL 9005)

GLOSS
Gloss 10-20

MATERIALS
Powder coated steel, painted MDF, CAL117 foam, upholstery

WEIGHT
3,8 kg / 8,4 lb

TEST
N / A

CERTIFICATIONS
TSCA title VI compliant

Declare.

PACKAGING TYPE
Brown box

PACKAGING MEASUREMENTS
(H × W × D)
75,5 cm × 43,3 cm × 43,3 cm /
29,7" × 17" × 17"

MATERIALS & MAINTENANCE
Please visit audocph.com for materials, care and maintenance instructions.



Audo

COPENHAGEN



AFTERROOM BAR STOOL
Designed by *Afteroom*



AFTERROOM BAR STOOL
Designed by *Afteroom*

Bar stool with tubular powder coated steel, with a circular footrest.



PRODUCT OPTIONS

Seat



WITH UPHOLSTERY

Powder coated steel base



BLACK STEEL

Spec options

Available in fabrics from our upholstery programme. Standard lead times apply.

For custom upholstery, please refer to the guiding textile/leather consumption:
COM: 0,59 m / 0,649 yds
COL: 0,88 m² / 9,4776 sqft

Prices excl. custom upholstery are equal to Price Category 1 Textile or Leather. Contact Sales support for approval of custom upholstery and to place your order.

The above textile consumption is only valid for textile rolls with a width equal to or greater than 140 cm. For smaller textile rolls, please contact Sales Support for guidance. For textile with pattern, please expect a higher usage for correct pattern fitting. Please contact Sales Support for guidance.

PRODUCT TYPE
Counter and bar stool

COLLI
1

ENVIRONMENT
Indoor

DIMENSIONS
H: 73,5 cm / 28,9"
Ø: 50 cm / 19,7"

PRODUCTION PROCESS
The base is made of bended and welded steel tubes. The base has a powder coated finish. The seat is milled MDF with a painted finish. The upholstered seat is made on plywood upholstery shell, foam and upholstery.

TECHNICAL SPECIFICATIONS

COLOUR
Seat with upholstery
Dependent upon selected upholstery

Base
Black (RAL 9005)

GLOSS
Gloss 10-20

MATERIALS
Powder coated steel, painted MDF, CAL117 foam, upholstery

WEIGHT
3,8 kg / 8,4 lb

TEST
N / A

CERTIFICATIONS
TSCA title VI compliant

Declare.

PACKAGING TYPE
Brown box

PACKAGING MEASUREMENTS
(H × W × D)
75,5 cm × 43,3 cm × 43,3 cm /
29,7" × 17" × 17"

MATERIALS & MAINTENANCE
Please visit audocph.com for materials, care and maintenance instructions.

