

Audo

COPENHAGEN



BRASILIA LOUNGE CHAIR AND OTTOMAN
Designed by *Anderssen & Voll*

BRASILIA LOUNGE CHAIR AND OTTOMAN
Designed by *Anderssen & Voll*

Scandinavian mid-century design aesthetics and Brazilian Modernism meet on the new Brasilia Lounge Chair and corresponding Ottoman, designed for Audo by Anderssen & Voll. Originally imagined for The Audo, the luxurious armchair-lounge chair hybrid offers unparalleled sitting comfort thanks to its robust frame and soft upholstery.

“The design was directly inspired by the mood at The Audo. There was something about the setting – wooden sculptures, calm ambience and welcoming colours – that made us think of more exotic variations of Modernism rather than our own familiar Scandinavian roots,” note designers Torbjørn Anderssen and Espen Voll.

Made using traditional joinery techniques, the wooden frame is characterised by exaggerated armrests, cylindrical legs at the front and broad, wooden boards at the back, lending the chair personality and its distinctive look. The cushioning seat and backrest add to the sense of ease. The versatile footrest doubles as a seat for unexpected guests or a resting place for a newspaper or tray. Available in three wood options and a range of soft fabrics from our extensive range, both can be tailored to fit any setting – alone or together.

About the Designer

Norwegian designers Torbjørn Anderssen and Espen Voll joined forces in 2009, establishing their studio in Oslo from where they create furniture, lighting and interior accessories for a host of international brands. With numerous international accolades under their belt – including a Wallpaper* Design Award and Red Dot Award – their designs are imbued with a modern expression yet transcend trends. Aware of the importance and power of beauty in a product, their meticulously crafted designs are imagined over coffee, sketched on paper, rendered on computer and built to elaborate scale models refined to the very last detail.



PRODUCT TYPE
Lounge chair
Sofa

ENVIRONMENT
Indoor

DIMENSIONS

Lounge chair
H: 82 cm / 32,3"
SH: 39 cm / 15,4"
AH: 51 cm / 20,1"
W: 96 cm / 37,8"
D: 84 cm / 33,1"

Sofa
H: 40 cm / 15,7"
W: 74 cm / 29,1"
D: 55,5 cm / 21,8"

COLOUR

Seat and backrest
Dependent upon selected upholstery

Base
Natural oiled oak
Dark stained oak
Lacquered walnut

MATERIALS

Solid oak or walnut, cold cured foam, steel tubes, plywood and upholstery

BRASILIA LOUNGE CHAIR AND OTTOMAN
Designed by *Anderssen & Voll*



ABOUT DESIGN HOLDING



Design Holding is a global leader in high-end design with a cultural heritage of European origin, characterised by multi-channel distribution and diversified product categories. Guided by the purpose '*We design for a beautiful life*', the Group designs for the planet, people, and culture. The Group includes Flos, B&B Italia, Louis Poulsen, Maxalto, Arclinea, Azucena, FENDI Casa, Menu, by Lassen and Lumens.

Design Holding's catalogue features iconic objects designed by world-famous designers such as Achille and Pier Giacomo Castiglioni, Tobia Scarpa, Luigi Caccia Dominioni, Poul Henningsen, Arne Jacobsen, Antonio Citterio, Gaetano Pesce, Philippe Starck, Piero Lissoni, Konstantin Grcic, Jasper Morrison, Patricia Urquiola, Michael Anastassiades and many others. Design Holding is jointly owned by the global investment firms Investindustrial and Carlyle.

ABOUT AUDO COPENHAGEN



Audo Copenhagen is a luxury source for high-end design furniture, lighting and accessories reflecting Danish heritage and a contemporary, global outlook.

The brand actively partners with leading architects and interior designers from around the world including Norm Architects, Colin King and Danielle Siggerud and stewards iconic designs including the timeless Kubus collection by architect Mogens Lassen, The Tired Man by Flemming Lassen and the Plinth Collection by Norm Architects.

Audo

COPENHAGEN



BRASILIA LOUNGE CHAIR
Designed by *Anderssen & Voll*

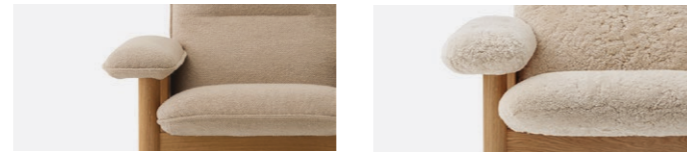


BRASILIA LOUNGE CHAIR
Designed by *Anderssen & Voll*

Designed for Audo by Anderssen & Voll, the Brasilia Lounge Chair is inspired by Scandinavian mid-century design aesthetics and Brazilian Modernism. Chunky wooden legs lend a feeling of strength and stability to the design, while the upholstered back, seat and armrests add a sense of comfort and ease.

PRODUCT OPTIONS

Seat



WITH UPHOLSTERY

WITH SHEEPSKIN

Oak or walnut base



NATURAL OAK

DARK STAINED OAK

WALNUT

Spec options

Available in fabrics from our upholstery programme. Standard lead times apply.

For custom upholstery, please refer to the guiding textile/leather consumption:

COM: 2,45 m / 2,7 yds

COL: 6,9 m² / 74,3 sqft

Prices excl. custom upholstery are equal to Price Category 1 Textile or Leather. Contact Sales support for approval of custom upholstery and to place your order.

The above textile consumption is only valid for textile rolls with a width equal to or greater than 140 cm. For smaller textile rolls, please contact Sales Support for guidance. For textile with pattern, please expect a higher usage for correct pattern fitting. Please contact Sales Support for guidance.

TECHNICAL SPECIFICATIONS

PRODUCT TYPE
Lounge Chair

COLLI
1

ENVIRONMENT
Indoor

DIMENSIONS

H: 82 cm / 32,3"

SH: 39 cm / 15,4"

AH: 51 cm / 20,1"

W: 96 cm / 37,8"

D: 84 cm / 33,1"

PRODUCTION PROCESS

The base is constructed of shaped and joined wood parts. The seat and back is made by moulded foam around a steel frame. The final process is to upholster according to a chosen material.

COLOUR

Seat
Dependent upon selected upholstery

Base

Natural oiled oak

Dark stained oak

Oiled walnut

GLOSS

N / A

MATERIALS

Solid oak or walnut, cold cured foam, steel tubes, plywood and upholstery

WEIGHT

25 kg / 55,11 lb

TEST

EN1022:2005, L2

EN16139:2013, L2

CERTIFICATIONS

TSCA title IV compliant

Crafted from FSC certified wood

PACKAGING TYPE

Brown box

PACKAGING MEASUREMENTS

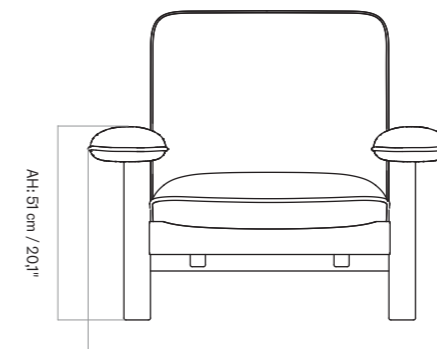
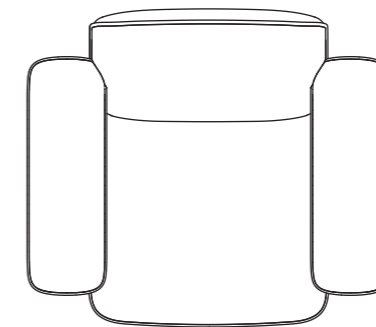
(H × W × D)

103 cm × 89,8 cm × 87 cm /

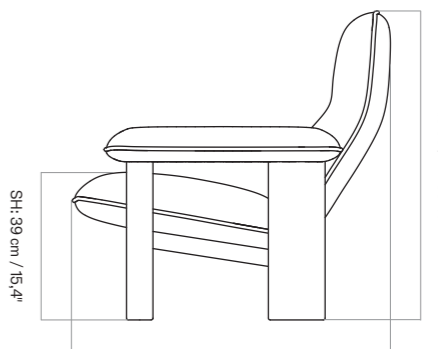
40,5" × 35,3" × 34,2"

MATERIALS & MAINTENANCE

Please visit audocph.com for materials, care and maintenance instructions.



W: 96 cm / 37,8"



D: 84 cm / 33,1"