

Audo

COPENHAGEN



CO LOUNGE CHAIR, SEAT UPHOLSTERED
Designed by *Norm Architects & Els Van Hoorebeeck*



CO LOUNGE CHAIR, SEAT UPHOLSTERED
Designed by *Norm Architects & Els Van Hoorebeeck*

Profiling a more laid-back look than its dining counterparts, the comfortable Co Lounge Chair, designed for Audo by Norm Architects and Els Van Hoorebeeck, features curved armrests and an upholstered seat to support and embrace the body. The slender yet strong powder coated steel base lends a feeling of lightness to the design.



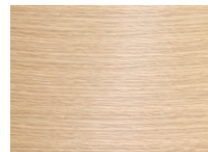
PRODUCT OPTIONS

Seat



WITH UPHOLSTERY

Backrest and Armrest



NATURAL OAK



DARK STAINED OAK



BLACK OAK

Steel base



BLACK POWDER
COATED STEEL

Spec options

Available in fabrics from our upholstery programme. Standard lead times apply.

For custom upholstery, please refer to the guiding textile/leather consumption:
COM: 0,73 m / 0,803 yds
COL: 0,94 m² / 10,1238 sqft

Prices excl. custom upholstery are equal to Price Category 1 Textile or Leather. Contact Sales support for approval of custom upholstery and to place your order.

The above textile consumption is only valid for textile rolls with a width equal to or greater than 140 cm. For smaller textile rolls, please contact Sales Support for guidance. For textile with pattern, please expect a higher usage for correct pattern fitting. Please contact Sales Support for guidance.

TECHNICAL SPECIFICATIONS

PRODUCT TYPE
Lounge chair

COLLI
1

ENVIRONMENT
Indoor

DIMENSIONS
H: 71 cm / 28"
AH: 58 cm / 22,8"
SH: 41 cm / 16,1"
D: 66 cm / 26"
W: 70 cm / 27,5"

PRODUCTION PROCESS
Seat, backrest and armrests are made of curved plywood. Shell is CNC-milled in a 5-axis CNC machine. The core is made of beech veneer with an outer layer of oak veneer. Double layer foam is used on upholstered seat for added comfort.

The base is made of bent, MIG+TIG-welded 16 mm steel tube and armrests of 14 mm steel tube. The base and armrests are powder coated.

COLOUR

Seat with upholstery
Dependent upon selected upholstery

Backrest and Armrest
Natural oak
Dark stained oak
Black oak

Base
Black (RAL 9005)

GLOSS

Base
10-20 (black)

MATERIALS

Seat with upholstery
Beech, curved plywood, CAL117 foam (30 mm 45N / 40 kg and 10 mm 32N / 40 kg), upholstery

Armrest
Natural oak veneer with matte lacquer, dark stained oak with wax or black painted oak and beech core.

Base
Powder coated steel

WEIGHT
7,5 kg / 16,5 lb

TEST
EN1022:2005, L2
EN16139:2013, L2

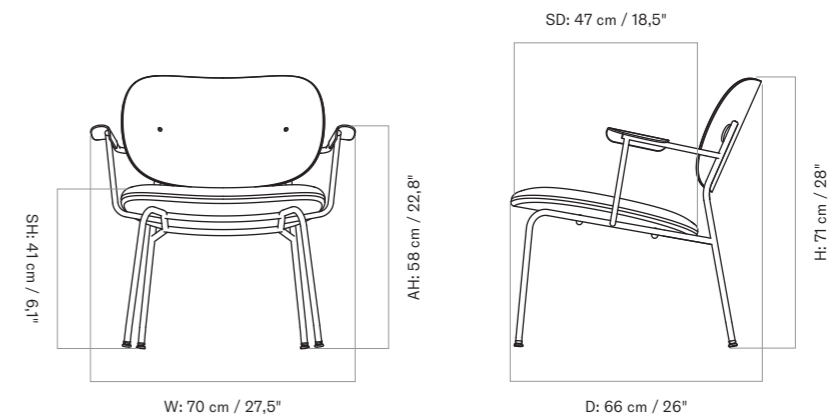
CERTIFICATIONS
FSC Certified

Declare.

PACKAGING TYPE
Brown box

PACKAGING MEASUREMENTS
(H x W x D)
73 cm x 68 cm x 72 cm /
28,7" x 26,8" x 28,3"

MATERIALS & MAINTENANCE
Please visit audocph.com for materials, care and maintenance instructions.



Audo

COPENHAGEN



CO LOUNGE CHAIR

Designed by *Norm Architects & Els Van Hoorebeeck*



CO LOUNGE CHAIR, SEAT UPHOLSTERED
Designed by *Norm Architects & Els Van Hoorebeeck*

Profiling a more laid-back look than its dining counterparts, the comfortable Co Lounge Chair, designed for Audo by Norm Architects and Els Van Hoorebeeck, features curved armrests and an upholstered seat to support and embrace the body. The slender yet strong powder coated steel base lends a feeling of lightness to the design.



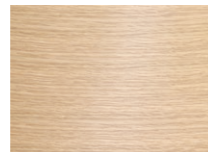
PRODUCT OPTIONS

Seat



WITH UPHOLSTERY

Backrest and Armrest



NATURAL OAK



DARK STAINED OAK



BLACK OAK

Steel base



BLACK POWDER
COATED STEEL

Spec options

Available in fabrics from our upholstery programme. Standard lead times apply.

For custom upholstery, please refer to the guiding textile/leather consumption:
COM: 0,73 m / 0,803 yds
COL: 0,94 m² / 10,1238 sqft

Prices excl. custom upholstery are equal to Price Category 1 Textile or Leather. Contact Sales support for approval of custom upholstery and to place your order.

The above textile consumption is only valid for textile rolls with a width equal to or greater than 140 cm. For smaller textile rolls, please contact Sales Support for guidance. For textile with pattern, please expect a higher usage for correct pattern fitting. Please contact Sales Support for guidance.

TECHNICAL SPECIFICATIONS

PRODUCT TYPE
Lounge chair

COLLI
1

ENVIRONMENT
Indoor

DIMENSIONS
H: 71 cm / 28"
AH: 58 cm / 22,8"
SH: 41 cm / 16,1"
D: 66 cm / 26"
W: 70 cm / 27,5"

PRODUCTION PROCESS
Seat, backrest and armrests are made of curved plywood. Shell is CNC-milled in a 5-axis CNC machine. The core is made of beech veneer with an outer layer of oak veneer. Double layer foam is used on upholstered seat for added comfort.

The base is made of bent, MIG+TIG-welded 16 mm steel tube and armrests of 14 mm steel tube. The base and armrests are powder coated.

COLOUR

Seat with upholstery
Dependent upon selected upholstery

Backrest and Armrest
Natural oak
Dark stained oak
Black oak

Base
Black (RAL 9005)

GLOSS

Base
10-20 (black)

MATERIALS

Seat with upholstery
Beech, curved plywood, CAL117 foam (30 mm 45N / 40 kg and 10 mm 32N / 40 kg), upholstery

Armrest
Natural oak veneer with matte lacquer, dark stained oak with wax or black painted oak and beech core.

Base
Powder coated steel

WEIGHT
7,5 kg / 16,5 lb

TEST
EN1022:2005, L2
EN16139:2013, L2

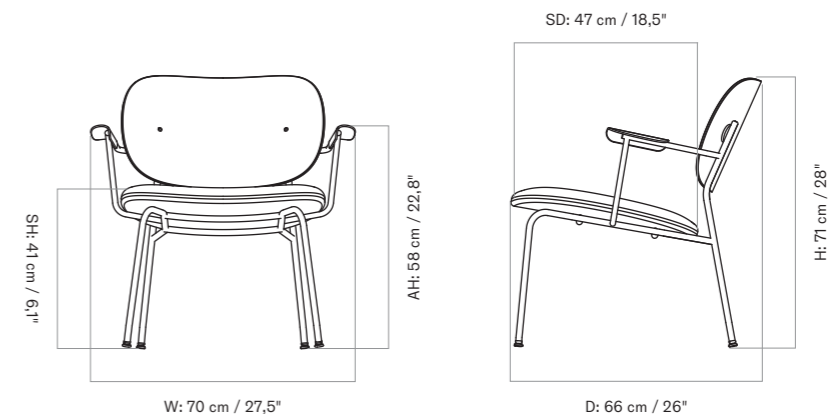
CERTIFICATIONS
FSC Certified

Declare.

PACKAGING TYPE
Brown box

PACKAGING MEASUREMENTS
(H x W x D)
73 cm x 68 cm x 72 cm /
28,7" x 26,8" x 28,3"

MATERIALS & MAINTENANCE
Please visit audocph.com for materials, care and maintenance instructions.





CO LOUNGE CHAIR, FULLY UPHOLSTERED
Designed by *Norm Architects & Els Van Hoorebeeck*

Profiling a more laid-back look than its dining counterparts, the comfortable Co Lounge Chair, designed for Audo by Norm Architects and Els Van Hoorebeeck, features curved armrests and an upholstered seat and backrest angled to support and embrace the body. The slender yet strong powder coated steel base lends a feeling of lightness to the design.



PRODUCT OPTIONS

Seat and backrest



UPHOLSTERED

Backrest and Armrest



NATURAL OAK

DARK STAINED OAK

BLACK OAK

Steel base



BLACK POWDER
COATED STEEL

Spec options

Available in fabrics from our upholstery programme. Standard lead times apply.

For custom upholstery, please refer to the guiding textile/leather consumption:
COM: 0,91 m / 1,001 yds
COL: 1,7 m² / 10,1238 sqft

Prices excl. custom upholstery are equal to Price Category 1 Textile or Leather. Contact Sales support for approval of custom upholstery and to place your order.

The above textile consumption is only valid for textile rolls with a width equal to or greater than 140 cm. For smaller textile rolls, please contact Sales Support for guidance. For textile with pattern, please expect a higher usage for correct pattern fitting. Please contact Sales Support for guidance.

TECHNICAL SPECIFICATIONS

PRODUCT TYPE
Lounge chair

COLLI
1

ENVIRONMENT
Indoor

DIMENSIONS
H: 71 cm / 28"
AH: 58 cm / 22,8"
SH: 41 cm / 16,1"
D: 66 cm / 26"
W: 70 cm / 27,5"

PRODUCTION PROCESS
Seat, backrest and armrests are made of curved plywood. Shell is CNC-milled in a 5-axis CNC machine. The core is made of beech veneer with an outer layer of oak veneer. Double layer foam is used on upholstered seat and back rest for added comfort.

The base is made of bent, MIG+TIG-welded 16 mm steel tube and armrests of 14 mm steel tube. The base and armrests are powder coated.

COLOUR

Seat and backrest with upholstery
Dependent upon selected upholstery

Armrest
Natural oak
Dark stained oak
Black oak

Base
Black (RAL 9005)

GLOSS

Base
10-20 (black)

MATERIALS

Seat and backrest with upholstery
Beech, curved plywood, CAL117 foam (30 mm 45N / 40 kg and 10 mm 32N / 40 kg), upholstery

Armrest
Natural oak veneer with matte lacquer, dark stained oak with wax or black painted oak and beech core.

Base
Powder coated steel

WEIGHT

Upholstered seat: 7,5 kg / 16,5 lb
Fully Upholstered: 8,5 kg / 18,7 lb

TEST

EN1022:2005, L2
EN16139:2013, L2

CERTIFICATIONS
FSC Certified

Declare.

PACKAGING TYPE
Brown box

PACKAGING MEASUREMENTS
(H x W x D)
73 cm x 68 cm x 72 cm /
28,7" x 26,8" x 28,3"

MATERIALS & MAINTENANCE
Please visit audocph.com for materials, care and maintenance instructions.

