

Audo

COPENHAGEN

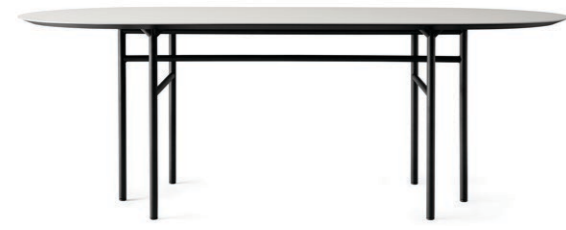


SNAREGADE COLLECTION
Designed by *Norm Architects*



SNAREGADE DINING TABLE, OVAL
Designed by *Norm Architects*

Oval dining table, with a tabletop in painted oak veneer or dark stained oak set on a powder coated steel base.



PRODUCT OPTIONS

Tabletop



BLACK OAK



DARK STAINED OAK

Powder coated steel base



BLACK STEEL

TECHNICAL SPECIFICATIONS

PRODUCT TYPE
Dining table

COLLI
1

ENVIRONMENT
Indoor

DIMENSIONS
H: 73 cm / 28,7"
D: 95 cm / 37,4"
L: 210 cm / 82,7"

PRODUCTION PROCESS
The tabletop is crafted from FSC certified oak veneer glued on MDF, CNC machine-cut. The frame is welded together from steel tubes and the surface is finished with powder coating.

COLOUR

Wooden tabletop
Black oak veneer (RAL 9005)
Dark stained oak

Base
Black (RAL 9005)

GLOSS
Gloss 10-20

MATERIALS
Painted or dark stained oak veneer, MDF and powder coated steel

WEIGHT
Tabletop: 37,5 kg / 82,7 lb
Base: 16,9 kg / 37,3 lb

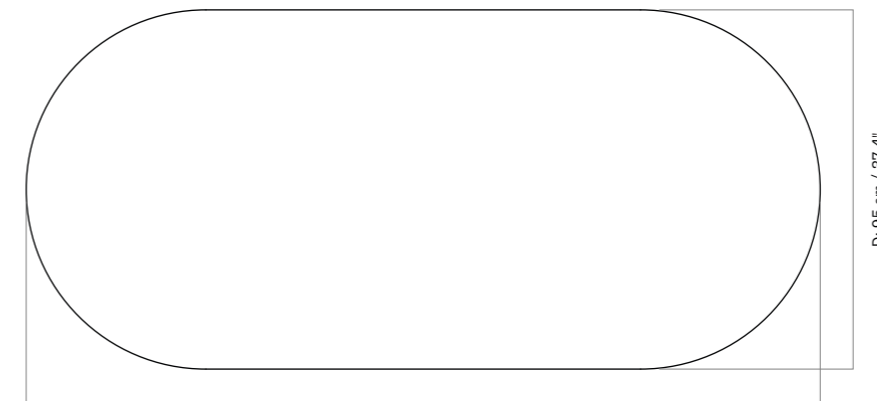
TEST
N / A

CERTIFICATIONS
TSCA title VI compliant
Crafted from FSC certified oak veneer

PACKAGING TYPE
Brown box

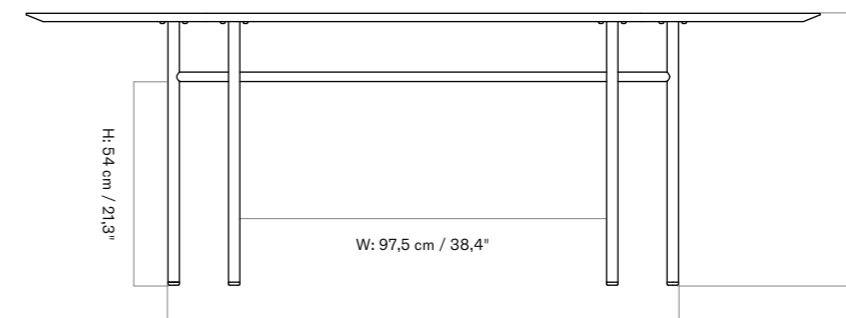
PACKAGING MEASUREMENT
(H x W x D)
4,8 cm x 99 cm x 214 cm / 1,9" x 39" x 84,3"

MATERIALS & MAINTENANCE
Please visit audocph.com for materials, care and maintenance instructions.



W: 210 cm / 82,7"

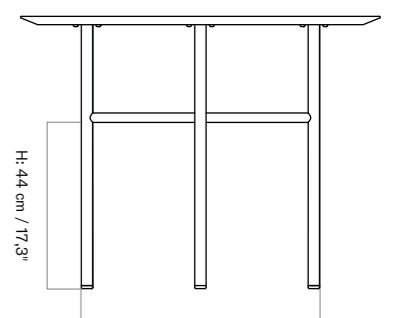
D: 95 cm / 37,4"



W: 134,5 cm / 53"

H: 54 cm / 21,3"

H: 73 cm / 28,74"



H: 44 cm / 17,3"

D: 62,5 cm / 24,6"

Round dining table with a tabletop in painted oak veneer or dark stained oak set on a powder coated steel base.

PRODUCT OPTIONS

Tabletop



BLACK OAK



DARK STAINED OAK

Powder coated steel base



BLACK STEEL



TECHNICAL SPECIFICATIONS

PRODUCT TYPE
Dining table

COLLI
1

ENVIRONMENT
Indoor

DIMENSIONS
H: 73 cm / 28,7"
Ø: 120 cm / 47,2"

PRODUCTION PROCESS
The tabletop is crafted from FSC certified oak veneer glued on MDF, CNC machine-cut. The frame is welded together from steel tubes and the surface is finished with powder coating.

COLOUR

Wooden tabletop
Black oak veneer (RAL 9005)
Dark stained oak

Base
Black (RAL 9005)

MATERIALS
Painted or dark stained oak veneer, MDF and powder coated steel

GLOSS
Gloss 10-20

WEIGHT
Tabletop: 34,3 kg / 75,6 lb
Base: 5,9 kg / 13 lb

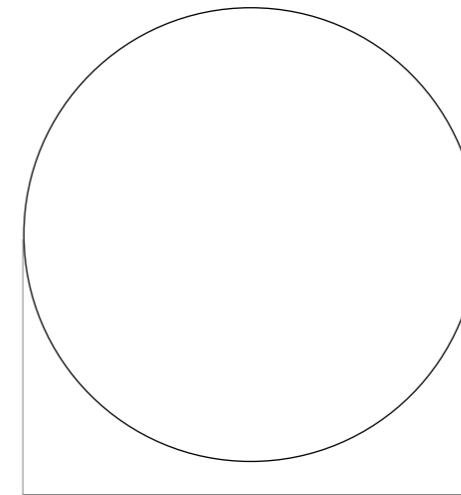
TEST
N / A

CERTIFICATIONS
TSCA title VI compliant
Crafted from FSC certified oak veneer

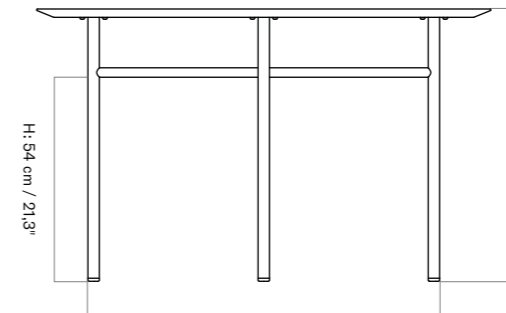
PACKAGING TYPE
Brown box

PACKAGING MEASUREMENTS
(H x W x D)
4,8 cm x 124 cm x 124 cm /
1,9" x 48,9" x 48,9"

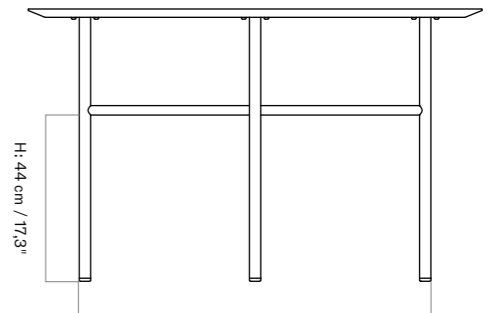
MATERIALS & MAINTENANCE
Please visit audocph.com for materials, care and maintenance instructions.



Ø: 120 cm / 47,2"



W: 90 cm / 35,4"



D: 90 cm / 35,4"

Round dining table with a tabletop in painted oak veneer or dark stained oak set on a powder coated steel base.

PRODUCT OPTIONS

Tabletop



BLACK OAK



DARK STAINED OAK

Powder coated steel base



BLACK STEEL



TECHNICAL SPECIFICATIONS

PRODUCT TYPE
Dining table

COLLI
1

ENVIRONMENT
Indoor

DIMENSIONS
H: 73 cm / 28,7"
Ø: 138 cm / 54,3"

PRODUCTION PROCESS
The tabletop is crafted from FSC certified oak veneer glued on MDF, CNC machine-cut. The frame is welded together from steel tubes and the surface is finished with powder coating.

COLOUR

Wooden tabletop
Black oak veneer (RAL 9005)
Dark stained oak

Base
Black (RAL 9005)

MATERIALS
Painted or dark stained oak veneer, MDF and powder coated steel

GLOSS
Gloss 10-20

WEIGHT
Tabletop: 36 kg / 79,4 lb
Base: 5,9 kg / 13 lb

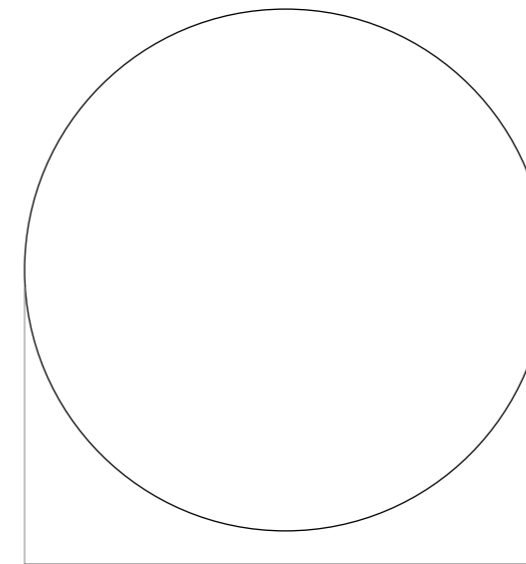
TEST
N / A

CERTIFICATIONS
TSCA title VI compliant
Crafted from FSC certified oak veneer

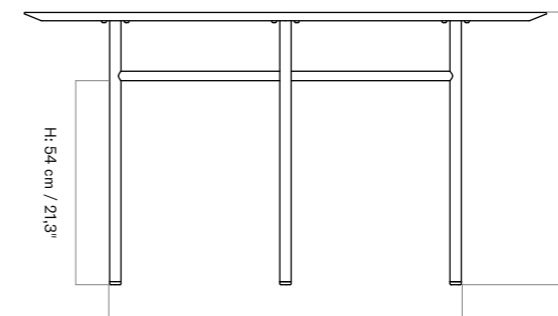
PACKAGING TYPE
Brown box

PACKAGING MEASUREMENTS
(H x W x D)
4,8 cm x 142 cm x 142 cm /
1,9" x 55,9" x 55,9"

MATERIALS & MAINTENANCE
Please visit audocph.com for materials, care and maintenance instructions.

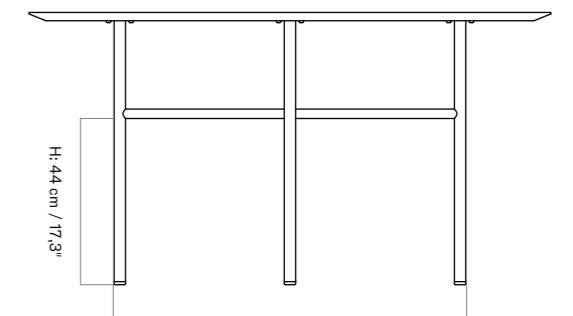


Ø: 138 cm / 54,3"



H: 54 cm / 21,3"

W: 90 cm / 35,4"



H: 44 cm / 17,3"

D: 90 cm / 35,4"

Rectangular dining table with a tabletop in painted oak veneer or dark stained oak set on a powder coated steel base.

PRODUCT OPTIONS

Tabletop



BLACK OAK



DARK STAINED OAK

Powder coated steel base



BLACK STEEL



TECHNICAL SPECIFICATIONS

PRODUCT TYPE
Dining table

COLLI
1

ENVIRONMENT
Indoor

DIMENSIONS
H: 73 cm / 28,7"
D: 90 cm / 35,4"
L: 200 cm / 78,7"

PRODUCTION PROCESS
The tabletop is crafted from FSC certified oak veneer glued on MDF, CNC machine-cut. The frame is welded together from steel tubes and the surface is finished with powder coating.

COLOUR

Wooden tabletop
Black oak veneer (RAL 9005)
Dark stained oak

Base
Black (RAL 9005)

GLOSS
Gloss 10-20

MATERIALS
Painted or dark stained oak veneer, MDF and powder coated steel

WEIGHT
Tabletop: 34,2 kg / 75,4 lb
Base: 16,9 kg / 37,3 lb

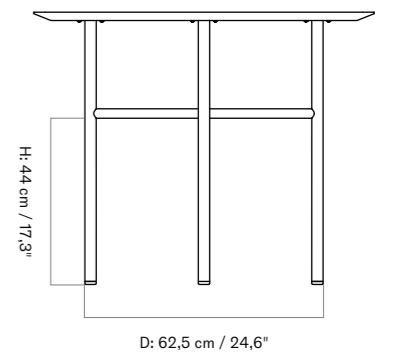
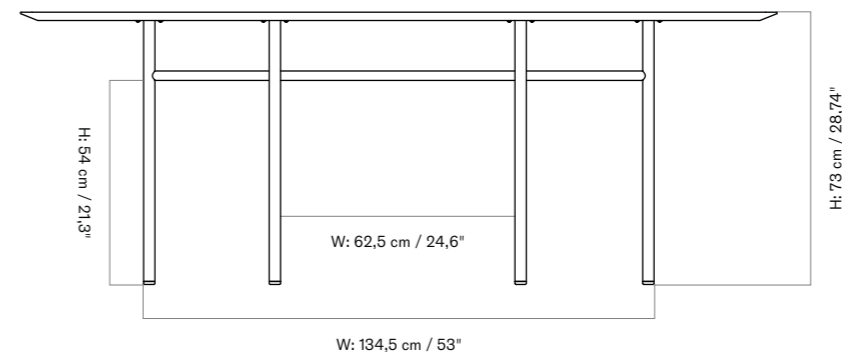
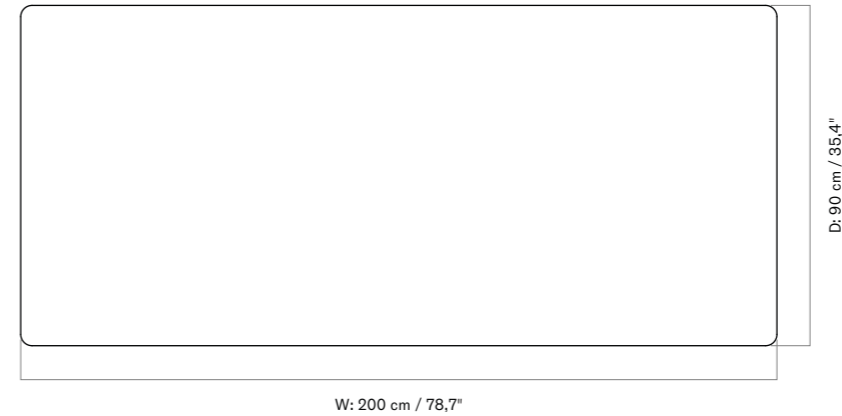
TEST
EN 15372:2016, L2

CERTIFICATIONS
TSCA title VI compliant
Crafted from FSC certified oak veneer

PACKAGING TYPE
Brown box

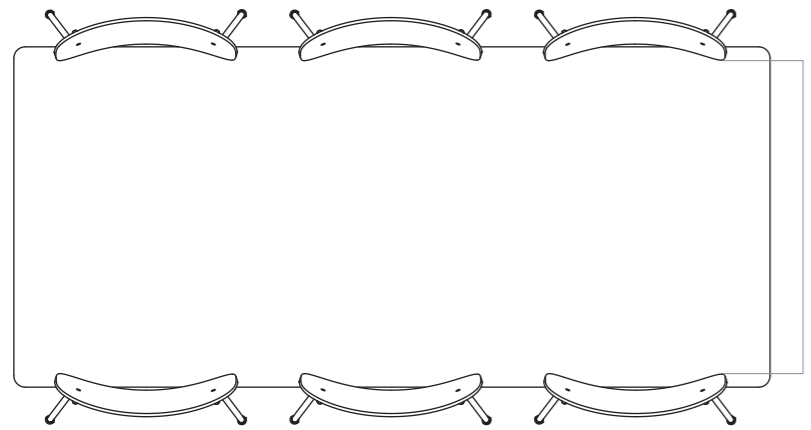
PACKAGING MEASUREMENTS
(H x W x D)
19 cm x 205,5 cm x 96 cm /
7,5" x 80,1" x 37,8"

MATERIALS & MAINTENANCE
Please visit audocph.com for materials, care and maintenance instructions.

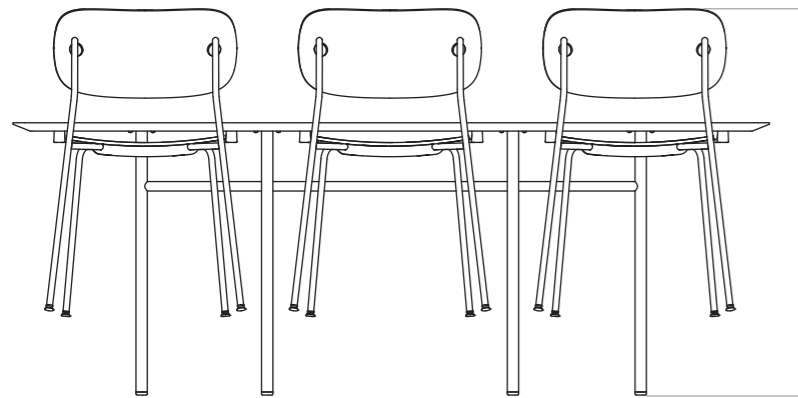


TECHNICAL SPECIFICATIONS

Snaregade Dining Table, Rectangular with seat runner and Co Dining Chair.



D: 82 cm / 32.3"



H: 102 cm / 40.2"

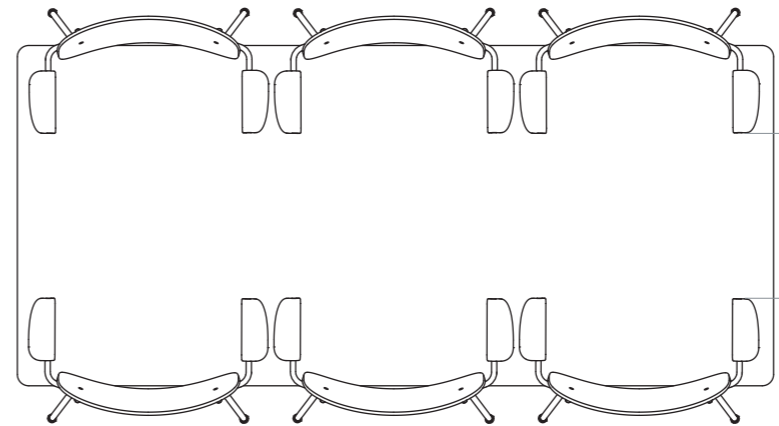


H: 23 cm / 9"

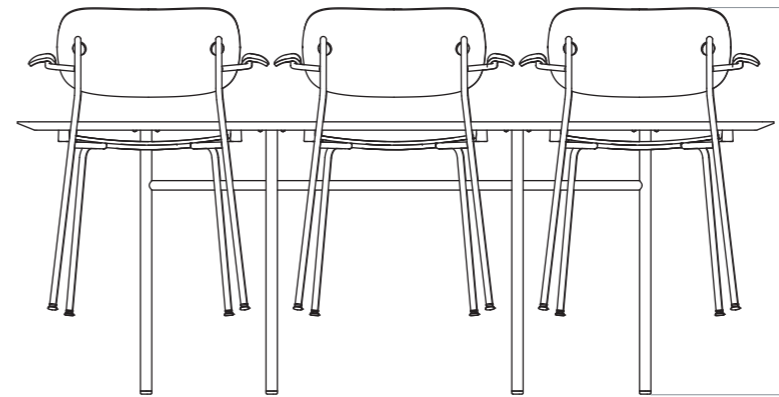
D: 110 cm / 43.5"

TECHNICAL SPECIFICATIONS

Snaregade Dining Table, Rectangular with seat runner and Co Dining Chair w/Armrest.



D: 44 cm / 17.3"



H: 102 cm / 40.2"



H: 23 cm / 9"

D: 110 cm / 43.5"

Audo

COPENHAGEN



SNAREGADE DINING TABLE, ROUND
Designed by *Norm Architects*

Round dining table with a tabletop in painted oak veneer or dark stained oak set on a powder coated steel base.

PRODUCT OPTIONS

Tabletop



BLACK OAK



DARK STAINED OAK

Powder coated steel base



BLACK STEEL



TECHNICAL SPECIFICATIONS

PRODUCT TYPE
Dining table

COLLI
1

ENVIRONMENT
Indoor

DIMENSIONS
H: 73 cm / 28,7"
Ø: 120 cm / 47,2"

PRODUCTION PROCESS
The tabletop is crafted from FSC certified oak veneer glued on MDF, CNC machine-cut. The frame is welded together from steel tubes and the surface is finished with powder coating.

COLOUR

Wooden tabletop
Black oak veneer (RAL 9005)
Dark stained oak

Base
Black (RAL 9005)

MATERIALS
Painted or dark stained oak veneer, MDF and powder coated steel

GLOSS
Gloss 10-20

WEIGHT
Tabletop: 34,3 kg / 75,6 lb
Base: 5,9 kg / 13 lb

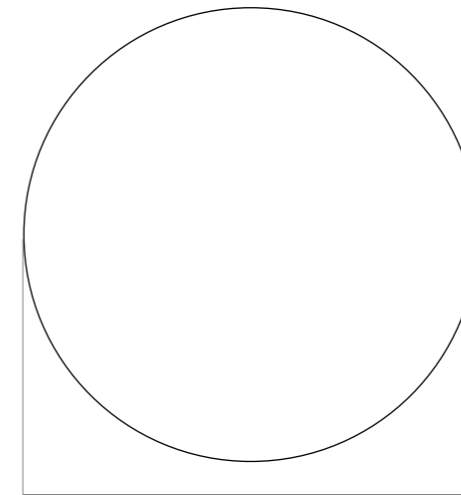
TEST
N / A

CERTIFICATIONS
TSCA title VI compliant
Crafted from FSC certified oak veneer

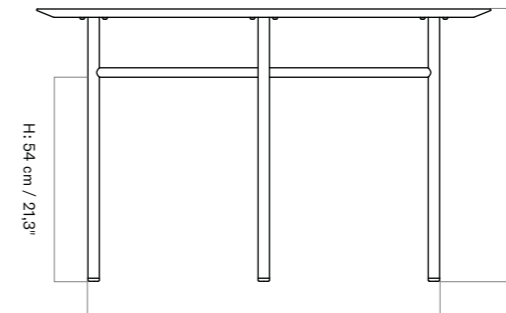
PACKAGING TYPE
Brown box

PACKAGING MEASUREMENTS
(H x W x D)
4,8 cm x 124 cm x 124 cm /
1,9" x 48,9" x 48,9"

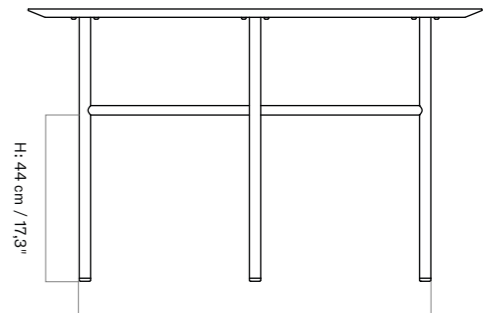
MATERIALS & MAINTENANCE
Please visit audocph.com for materials, care and maintenance instructions.



Ø: 120 cm / 47,2"



W: 90 cm / 35,4"



D: 90 cm / 35,4"

Round dining table with a tabletop in painted oak veneer or dark stained oak set on a powder coated steel base.

PRODUCT OPTIONS

Tabletop



BLACK OAK



DARK STAINED OAK

Powder coated steel base



BLACK STEEL



TECHNICAL SPECIFICATIONS

PRODUCT TYPE
Dining table

COLLI
1

ENVIRONMENT
Indoor

DIMENSIONS
H: 73 cm / 28,7"
Ø: 138 cm / 54,3"

PRODUCTION PROCESS
The tabletop is crafted from FSC certified oak veneer glued on MDF, CNC machine-cut. The frame is welded together from steel tubes and the surface is finished with powder coating.

COLOUR

Wooden tabletop
Black oak veneer (RAL 9005)
Dark stained oak

Base
Black (RAL 9005)

MATERIALS
Painted or dark stained oak veneer, MDF and powder coated steel

GLOSS
Gloss 10-20

WEIGHT
Tabletop: 36 kg / 79,4 lb
Base: 5,9 kg / 13 lb

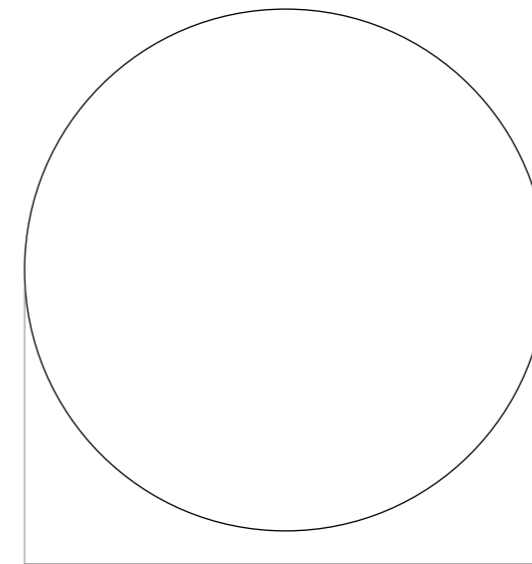
TEST
N / A

CERTIFICATIONS
TSCA title VI compliant
Crafted from FSC certified oak veneer

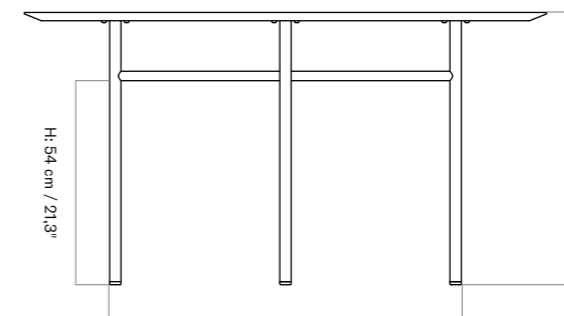
PACKAGING TYPE
Brown box

PACKAGING MEASUREMENTS
(H x W x D)
4,8 cm x 142 cm x 142 cm /
1,9" x 55,9" x 55,9"

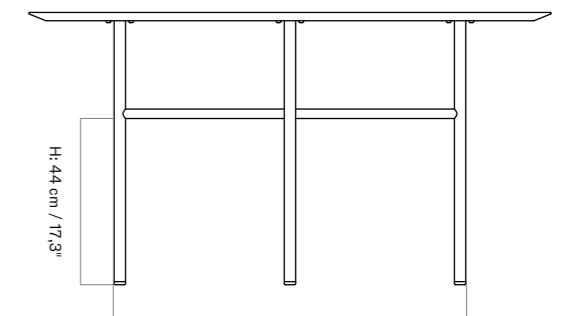
MATERIALS & MAINTENANCE
Please visit audocph.com for materials, care and maintenance instructions.



Ø: 138 cm / 54,3"



W: 90 cm / 35,4"



D: 90 cm / 35,4"