

Audo

COPENHAGEN



TEAROOM COLLECTION
Designed by *Afteroom*



TEAROOM CLUB CHAIR

Designed by *Nick Ross*

Upholstered club chair with black MDF base.



PRODUCT OPTIONS

Seat



WITH UPHOLSTERY

Spec options

Available in fabrics from our upholstery programme. Standard lead times apply.

For custom upholstery, please refer to the guiding textile/leather consumption:
COM: 2,1 m / 2,31 yds

Prices excl. custom upholstery are equal to Price Category 1 Textile or Leather. Contact Sales support for approval of custom upholstery and to place your order.

The above textile consumption is only valid for textile rolls with a width equal to or greater than 140 cm. For smaller textile rolls, please contact Sales Support for guidance. For textile with pattern, please expect a higher usage for correct pattern fitting. Please contact Sales Support for guidance.

PRODUCT TYPE
Club chair

COLLI
1

ENVIRONMENT
Indoor

DIMENSIONS
H: 78 cm / 30,7"
SH: 47 cm / 18,5"
W: 70 cm / 27,6"
D: 58 cm / 22,8"

PRODUCTION PROCESS
The club chair is constructed with a structural frame made of plywood. Seat consists of layered foam (5 layers) in different hardness with webbing/belts underneath. Back and armrests consists of a double foam layer, with front part being reinforced with foam flex. The base is made from painted MDF.

TECHNICAL SPECIFICATIONS

COLOUR
Seat
Dependent upon selected upholstery

Base
Black (RAL 9005)

GLOSS
Gloss 10-15

MATERIALS
Plywood, HR Foam construction, webbing/belts, foam flex and upholstery

WEIGHT
15 kg / 33,1 lb

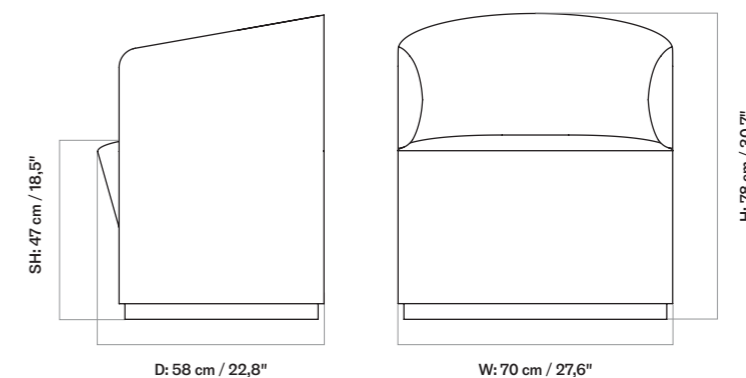
TEST
N / A

CERTIFICATIONS
TSCA title IV compliant
Declare.

PACKAGING TYPE
Brown box

PACKAGING MEASUREMENTS
(H x W x D)
80 cm x 72 cm x 60 cm /
31,5" x 28,3" x 23,6"

MATERIALS & MAINTENANCE
Please visit audocph.com for materials, care and maintenance instructions.





TEAROOM SIDE CHAIR, SWIVEL W/RETURN
Designed by *Nick Ross*

With its luxurious look and feel, the Tearoom Side Chair, Swivel is an elegant addition to any space. From its open silhouette and supportive curves to its richly detailed upholstery and recessed plinth base, the distinctive design is considered to the last detail. Its smooth, 190-degree return swivel function ensures full freedom of movement.

PRODUCT OPTIONS

Seat



WITH UPHOLSTERY

Spec options

Available in fabrics from our upholstery programme. Standard lead times apply.

For custom upholstery, please refer to the guiding textile/leather consumption:
COM: 2,1 m / 2,31 yds

Prices excl. custom upholstery are equal to Price Category 1 Textile or Leather. Contact Sales support for approval of custom upholstery and to place your order.

The above textile consumption is only valid for textile rolls with a width equal to or greater than 140 cm. For smaller textile rolls, please contact Sales Support for guidance. For textile with pattern, please expect a higher usage for correct pattern fitting. Please contact Sales Support for guidance.



PRODUCT TYPE
Side chair

COLLI
1

ENVIRONMENT
Indoor

DIMENSIONS
H: 78 cm / 30,7"
SH: 47 cm / 18,5"
W: 60 cm / 23,6"
D: 58 cm / 22,8"

PRODUCTION PROCESS
The side chair is constructed with a structural frame made of plywood. Seat consists of layered foam (5 layers) in different hardness with webbing/belts underneath. Back and armrests consists of a double foam layer, with front part being reinforced with foam flex. The base is made from painted MDF.

TECHNICAL SPECIFICATIONS

COLOUR
Seat
Dependent upon selected upholstery

Base
Black (RAL 9005)

GLOSS
Gloss 10-15

MATERIALS
Plywood, HR Foam construction, webbing/belts, foam flex and upholstery

WEIGHT
17.8 kg / 39,2 lb

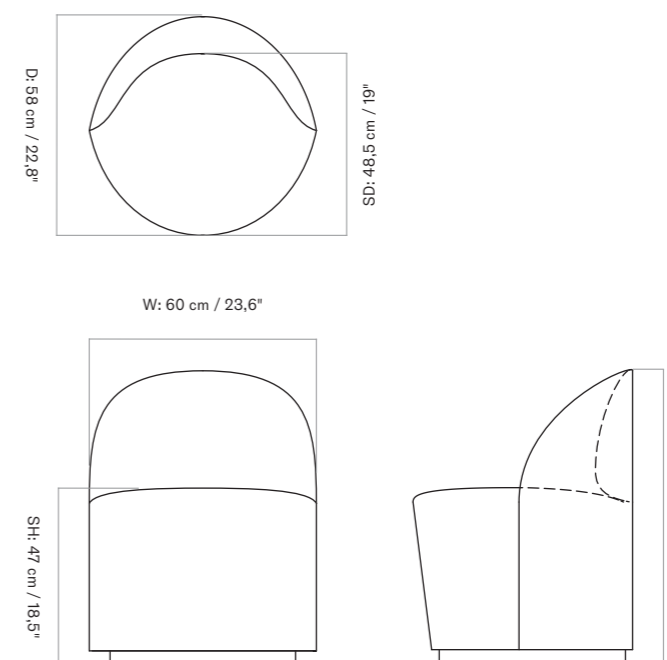
TEST
N / A

CERTIFICATIONS
Declare.

PACKAGING TYPE
Brown box

PACKAGING MEASUREMENTS
(H x W x D)
82 cm x 73 cm x 61 cm /
32,2" x 28,7" x 24"

MATERIALS & MAINTENANCE
Please visit audocph.com for materials, care and maintenance instructions.





TEAROOM LOUNGE CHAIR
Designed by *Nick Ross*

Upholstered lounge chair with black MDF base.

PRODUCT OPTIONS

Seat



WITH UPHOLSTERY

Spec options

Available in fabrics from our upholstery programme. Standard lead times apply.

For custom upholstery, please refer to the guiding textile/leather consumption:
COM: 2,6 m / 2,86 yds

Prices excl. custom upholstery are equal to Price Category 1 Textile or Leather. Contact Sales support for approval of custom upholstery and to place your order.

The above textile consumption is only valid for textile rolls with a width equal to or greater than 140 cm. For smaller textile rolls, please contact Sales Support for guidance. For textile with pattern, please expect a higher usage for correct pattern fitting. Please contact Sales Support for guidance.

PRODUCT TYPE
Lounge chair

COLLI
1

ENVIRONMENT
Indoor

DIMENSIONS
H: 78 cm / 30,7"
SH: 43 cm / 17"
W: 89 cm / 35"
D: 70 cm / 27,6"

PRODUCTION PROCESS
The lounge chair is constructed with a structural frame made of plywood. Seat consists of layered foam (5 layers) in different hardness with webbing/belts underneath. Back and armrests consists of a double foam layer, with front part being reinforced with foam flex. The base is made from painted MDF.

COLOUR
Seat
Dependent upon selected upholstery

Base
Black (RAL 9005)

GLOSS
Gloss 10-15

MATERIALS
Plywood, HR Foam construction, webbing/belts, No-sag springs, foam flex and upholstery

WEIGHT
18 kg / 39,7 lb

TEST
N / A

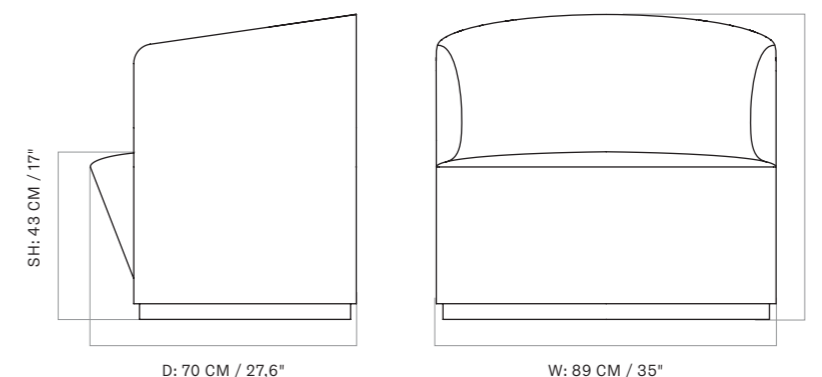
CERTIFICATIONS
TSCA title IV compliant

Declare.

PACKAGING TYPE
Brown box

PACKAGING MEASUREMENTS
(H x W x D)
80 cm x 92 cm x 72 cm /
31,5" x 36,2" x 28,3"

MATERIALS & MAINTENANCE
Please visit audocph.com for materials, care and maintenance instructions.





TEAROOM LOUNGE CHAIR, SWIVEL W/RETURN
Designed by *Nick Ross*

Upholstered lounge chair with black MDF base.

PRODUCT OPTIONS

Seat



WITH UPHOLSTERY

Spec options

Available in fabrics from our upholstery programme. Standard lead times apply.

For custom upholstery, please refer to the guiding textile/leather consumption:
COM: 2,6 m / 2,86 yds

Prices excl. custom upholstery are equal to Price Category 1 Textile or Leather. Contact Sales support for approval of custom upholstery and to place your order.

The above textile consumption is only valid for textile rolls with a width equal to or greater than 140 cm. For smaller textile rolls, please contact Sales Support for guidance. For textile with pattern, please expect a higher usage for correct pattern fitting. Please contact Sales Support for guidance.



TECHNICAL SPECIFICATIONS

PRODUCT TYPE
Lounge chair

COLLI
1

ENVIRONMENT
Indoor

DIMENSIONS
H: 78 cm / 30,7"
SH: 42,5 cm / 16,7"
W: 72,5 cm / 28,5"
D: 70 cm / 27,6"

PRODUCTION PROCESS
The lounge chair is constructed with a structural frame made of plywood. Seat consists of layered foam (5 layers) in different hardness with webbing/belts underneath. Back and armrests consists of a double foam layer, with front part being reinforced with foam flex. The base is made from painted MDF.

COLOUR
Seat
Dependent upon selected upholstery

Base
Black (RAL 9005)

GLOSS
Gloss 10-10

MATERIALS
Plywood, HR Foam construction, webbing/belts, No-sag springs, foam flex and upholstery

WEIGHT
24 kg / 52,9 lb

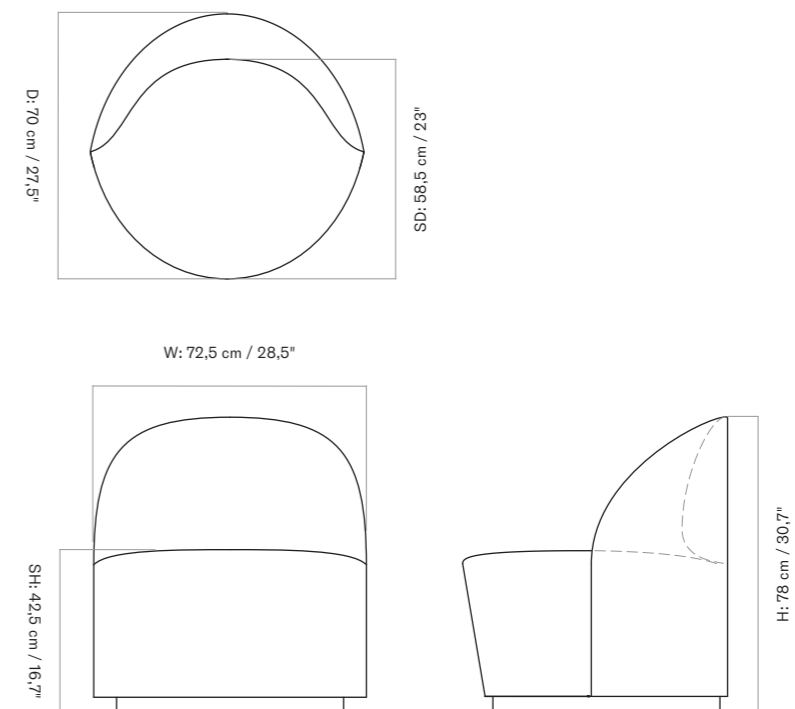
TEST
N / A

CERTIFICATIONS
Declare.

PACKAGING TYPE
Brown box

PACKAGING MEASUREMENTS
(H x W x D)
82 cm x 94 cm x 74 cm /
32,3" x 37" x 29,1"

MATERIALS & MAINTENANCE
Please visit audocph.com for materials, care and maintenance instructions.





TEAROOM LOUNGE CHAIR, HIGH BACK
Designed by *Nick Ross*

The high back version of the Tearoom Lounge Chair offers moments of quiet contemplation in busy spaces. Expressive and elegant, the secluded, foam-filled furniture piece rests on a wooden base for a natural contrast to the upholstered seat.

PRODUCT OPTIONS

Seat



WITH UPHOLSTERY

Spec options

Available in fabrics from our upholstery programme. Standard lead times apply.

For custom upholstery, please refer to the guiding textile/leather consumption:
COM: 4,2 m / 4,62 yds

Prices excl. custom upholstery are equal to Price Category 1 Textile or Leather. Contact Sales support for approval of custom upholstery and to place your order.

The above textile consumption is only valid for textile rolls with a width equal to or greater than 140 cm. For smaller textile rolls, please contact Sales Support for guidance. For textile with pattern, please expect a higher usage for correct pattern fitting. Please contact Sales Support for guidance.



TECHNICAL SPECIFICATIONS

PRODUCT TYPE
Lounge Chair

COLLI
1

ENVIRONMENT
Indoor

DIMENSIONS
H: 120 cm / 47,24"
W: 89 cm / 35,04"
D: 73 cm / 28,7"

PRODUCTION PROCESS
The lounge chair is constructed with a structural frame made of plywood. The seat consists of layered foam (5 layers) in different hardness with webbing/belts underneath. Back and armrests consist of a double foam layer with front part reinforced with foam flex. The base is made of painted MDF.

COLOUR
Seat
Dependent upon selected upholstery

Base
Black (RAL 9005)

GLOSS
Gloss 10-15

MATERIALS
Plywood, HR Foam construction, webbing/belts, foam flex and upholstery

WEIGHT
31,5 kg / 69,45 lb

TEST
N / A

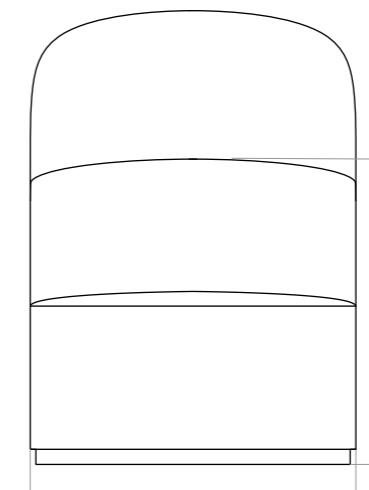
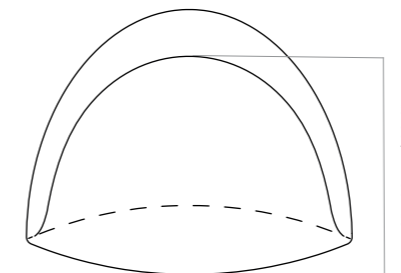
CERTIFICATIONS
TSCA title IV compliant

Declare.

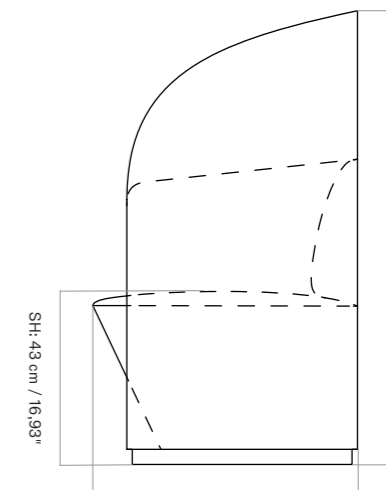
PACKAGING TYPE
Brown box

PACKAGING MEASUREMENTS
(H x W x D)
127 cm x 95 cm x 75 cm /
50" x 37,4" x 29,53"

MATERIALS & MAINTENANCE
Please visit audocph.com for materials, care and maintenance instructions.



W: 89 cm / 35,04"



D: 73 cm / 28,7"



TEAROOM LOUNGE CHAIR, HIGH BACK W/POWER OUTLET
Designed by *Nick Ross*

The high back version of the Tearoom Lounge Chair offers moments of quiet contemplation in busy spaces. Expressive and elegant, the secluded, foam-filled furniture piece rests on a wooden base for a natural contrast to the upholstered seat. The addition of a USB-C port and power socket at the base makes it a practical spot for work as well as play.

PRODUCT OPTIONS

Seat



WITH UPHOLSTERY

Spec options

Available in fabrics from our upholstery programme. Standard lead times apply.

For custom upholstery, please refer to the guiding textile/leather consumption:
COM: 4,2 m / 4,62 yds

Prices excl. custom upholstery are equal to Price Category 1 Textile or Leather. Contact Sales support for approval of custom upholstery and to place your order.

The above textile consumption is only valid for textile rolls with a width equal to or greater than 140 cm. For smaller textile rolls, please contact Sales Support for guidance. For textile with pattern, please expect a higher usage for correct pattern fitting. Please contact Sales Support for guidance.



TECHNICAL SPECIFICATIONS

PRODUCT TYPE
Lounge Chair

COLLI
1

ENVIRONMENT
Indoor

DIMENSIONS
H: 120 cm / 47,24"
W: 89 cm / 35,04"
D: 73 cm / 28,7"

PRODUCTION PROCESS
The lounge chair is constructed with a structural frame made of plywood. The seat consists of layered foam (5 layers) in different hardness with webbing/belts underneath. Back and armrests consist of a double foam layer with front part reinforced with foam flex. The base is made of painted MDF.

COLOUR
Seat
Dependent upon selected upholstery

Base
Black (RAL 9005)

GLOSS
Gloss 10-15

MATERIALS
Plywood, HR Foam construction, webbing/belts, foam flex and upholstery

WEIGHT
31,5 kg / 69,45 lb

Cord lenght
350 cm / 137,79"

TEST
N / A

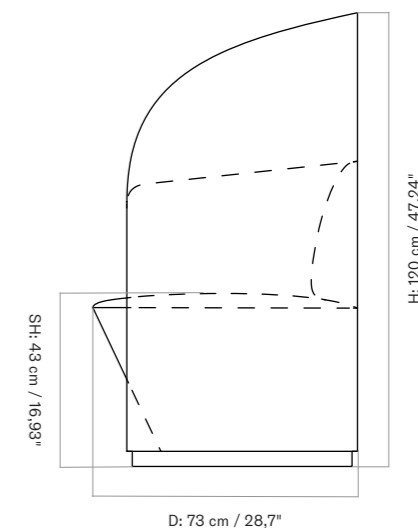
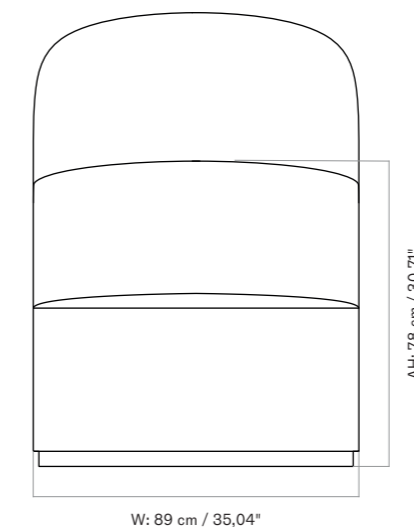
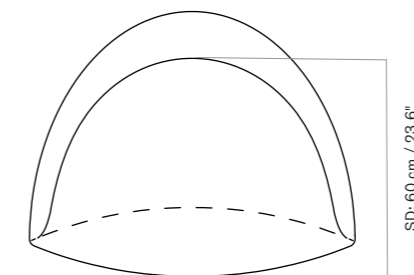
CERTIFICATIONS
TSCA title IV compliant

Declare.

PACKAGING TYPE
Brown box

PACKAGING MEASUREMENTS
(H x W x D)
127 cm x 95 cm x 75 cm /
50" x 37,4" x 29,53"

MATERIALS & MAINTENANCE
Please visit audocph.com for materials, care and maintenance instructions.



W: 89 cm / 35,04"

D: 73 cm / 28,7"

Audo

COPENHAGEN



TEAROOM COLLECTION
Designed by *Nick Ross*

TEAROOM COLLECTION
Designed by *Nick Ross*

A practical return-swivel base updates the indulgent Tearoom Collection.

The Tearoom Collection, designed for Audo by Nick Ross, is a study in minimalist luxury, offering indulgent retreats and mood-lifting comfort for a multitude of settings. Luxurious to sit in and beautiful to look at, the Tearoom Side Chair with a return swivel base is the latest of two new additions that bring added beauty and functional to a space. Considered to the last detail, its open silhouette invites you to sit back and relax while its cocooning curves and richly detailed upholstery ensure a comfortable and supportive sitting position.

Likewise, the wide, low seat, embracing form and upright back of the Tearoom Lounge Chair, Swivel with Return offers beauty, function and comfort in both classic and contemporary spaces – from home living rooms to exclusive hotels to modern workspaces.

Inspired by Charles Rennie Mackintosh's Willow Chair, created between 1902 and 1904 for the Willow Tea Rooms in Glasgow, the contoured designs are made with comfort in mind. Rich upholstery and generous, cocooning curves invite relaxation, while the recessed plinth base fitted with a 190-degree return swivel ensures full freedom of movement – as well as making it easy to sit in and stand up from the chairs. Furthermore, the wood and foam construction creates the ideal pairing of sturdiness and lush comfort.

"I like to think my work speaks to our need for meaning in the objects around us. I think that storytelling is such an important human trait and adding this into objects can give them added value in some way," says Nick Ross on his work as a designer.

About the designer

Nick Ross (1986) is a Scottish-Swedish, Stockholm-based designer studied industrial design at Gray's School of Art in Aberdeen, -and was awarded the Arts & Heritage prize for his graduation project, Stray, in 2008. Later on, he enrolling in fine arts Master's program in interior architecture and furniture design at Konstfack in Stockholm, in 2013. Immediately after graduating, he

began working as an assistant to Swedish designer Matti Klenell until establishing his own self-named, Stockholm-based studio in 2014.

Ross is a designer with a penchant for scarce spaces that focus on the use of materials and light in a given expanse. His research centres on the complex repertoire of history, with a particular focus on ancient history, where he finds the factors with which to interpret the relationship between the user and contemporary design. Using storytelling as a pretext and applying a confidently critical approach, Nick is interested in investigating facts and happenings that have determined specific cultural balances. Every project comes from the desire to create ideal or real bridges between the present to that of the past.



TEAROOM COLLECTION
Designed by *Nick Ross*

PRODUCT TYPE
Side & lounge chair

ENVIRONMENT
Indoor

DIMENSIONS

Side Chair
H: 78 cm / 30,7"
SH: 47 cm / 18,5"
W: 60 cm / 27,6"
D: 58 cm / 22,8"

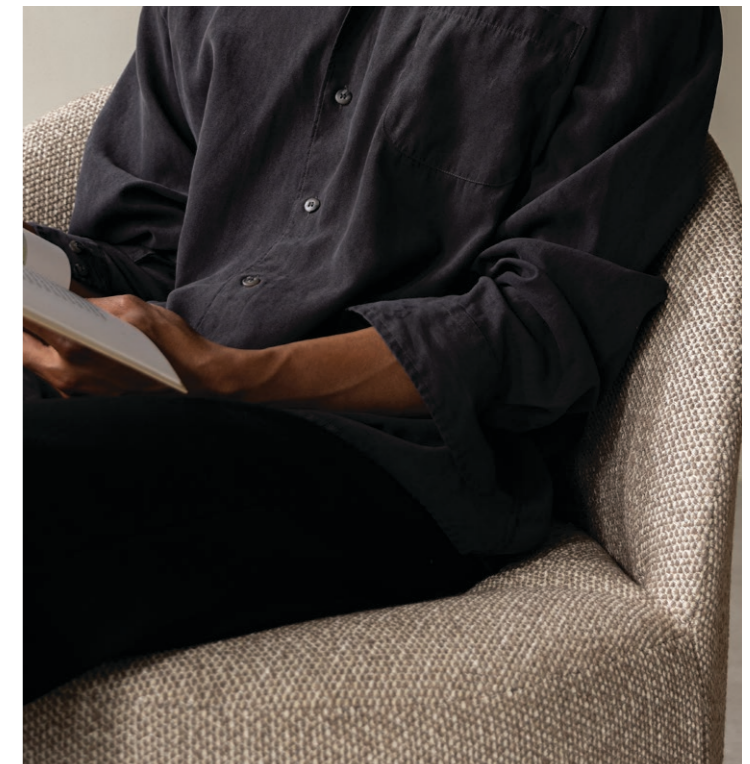
Lounge Chair
H: 78 cm / 30,7"
SH: 42,5 cm / 16,7"
W: 72,5 cm / 28,5"
D: 70 cm / 27,6"

COLOUR

Seat
Dependent upon selected upholstery

Base
Black (RAL 9005)

MATERIALS
Plywood, HR Foam construction, webbing/
belts, foam flex and upholstery



ABOUT DESIGN HOLDING



Design Holding is a global leader in high-end design with a cultural heritage of European origin, characterised by multi-channel distribution and diversified product categories. Guided by the purpose '*We design for a beautiful life*', the Group designs for the planet, people, and culture. The Group includes Flos, B&B Italia, Louis Poulsen, Maxalto, Arclinea, Azucena, FENDI Casa, Menu, by Lassen and Lumens.

Design Holding's catalogue features iconic objects designed by world-famous designers such as Achille and Pier Giacomo Castiglioni, Tobia Scarpa, Luigi Caccia Dominioni, Poul Henningsen, Arne Jacobsen, Antonio Citterio, Gaetano Pesce, Philippe Starck, Piero Lissoni, Konstantin Grcic, Jasper Morrison, Patricia Urquiola, Michael Anastassiades and many others. Design Holding is jointly owned by the global investment firms Investindustrial and Carlyle.

ABOUT AUDO COPENHAGEN



Audo Copenhagen is a luxury source for high-end design furniture, lighting and accessories reflecting Danish heritage and a contemporary, global outlook.

The brand actively partners with leading architects and interior designers from around the world including Norm Architects, Colin King and Danielle Siggerud and stewards iconic designs including the timeless Kubus collection by architect Mogens Lassen, The Tired Man by Flemming Lassen and the Plinth Collection by Norm Architects.

Audo

COPENHAGEN



TEAROOM LOUNGE CHAIR, HIGH BACK
Designed by *Nick Ross*



TEAROOM LOUNGE CHAIR, HIGH BACK
Designed by *Nick Ross*

The high back version of the Tearoom Lounge Chair offers moments of quiet contemplation in busy spaces. Expressive and elegant, the secluded, foam-filled furniture piece rests on a wooden base for a natural contrast to the upholstered seat.



PRODUCT OPTIONS

Seat



WITH UPHOLSTERY

Spec options

Available in fabrics from our upholstery programme. Standard lead times apply.

For custom upholstery, please refer to the guiding textile/leather consumption:
COM: 4,2 m / 4,62 yds

Prices excl. custom upholstery are equal to Price Category 1 Textile or Leather. Contact Sales support for approval of custom upholstery and to place your order.

The above textile consumption is only valid for textile rolls with a width equal to or greater than 140 cm. For smaller textile rolls, please contact Sales Support for guidance. For textile with pattern, please expect a higher usage for correct pattern fitting. Please contact Sales Support for guidance.

TECHNICAL SPECIFICATIONS

PRODUCT TYPE
Lounge Chair

COLLI
1

ENVIRONMENT
Indoor

DIMENSIONS
H: 120 cm / 47,24"
W: 89 cm / 35,04"
D: 73 cm / 28,7"

PRODUCTION PROCESS
The lounge chair is constructed with a structural frame made of plywood. The seat consists of layered foam (5 layers) in different hardness with webbing/belts underneath. Back and armrests consist of a double foam layer with front part reinforced with foam flex. The base is made of painted MDF.

COLOUR
Seat
Dependent upon selected upholstery

Base
Black (RAL 9005)

GLOSS
Gloss 10-15

MATERIALS
Plywood, HR Foam construction, webbing/belts, foam flex and upholstery

WEIGHT
31,5 kg / 69,45 lb

TEST
N / A

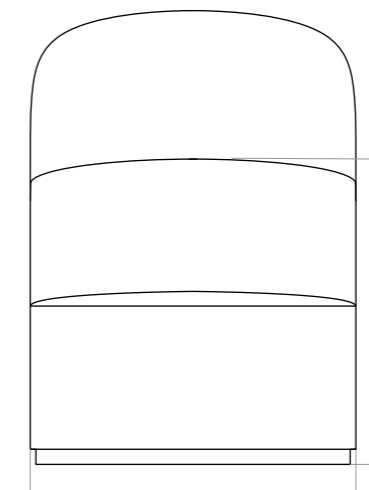
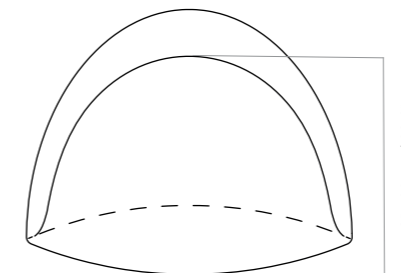
CERTIFICATIONS
TSCA title IV compliant

Declare.

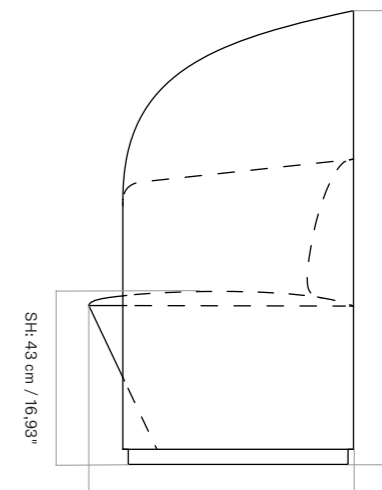
PACKAGING TYPE
Brown box

PACKAGING MEASUREMENTS
(H x W x D)
127 cm x 95 cm x 75 cm /
50" x 37,4" x 29,53"

MATERIALS & MAINTENANCE
Please visit audocph.com for materials, care and maintenance instructions.



W: 89 cm / 35,04"



D: 73 cm / 28,7"



TEAROOM LOUNGE CHAIR, HIGH BACK W/POWER OUTLET
Designed by *Nick Ross*

The high back version of the Tearoom Lounge Chair offers moments of quiet contemplation in busy spaces. Expressive and elegant, the secluded, foam-filled furniture piece rests on a wooden base for a natural contrast to the upholstered seat. The addition of a USB-C port and power socket at the base makes it a practical spot for work as well as play.

PRODUCT OPTIONS

Seat



WITH UPHOLSTERY

Spec options

Available in fabrics from our upholstery programme. Standard lead times apply.

For custom upholstery, please refer to the guiding textile/leather consumption:
COM: 4,2 m / 4,62 yds

Prices excl. custom upholstery are equal to Price Category 1 Textile or Leather. Contact Sales support for approval of custom upholstery and to place your order.

The above textile consumption is only valid for textile rolls with a width equal to or greater than 140 cm. For smaller textile rolls, please contact Sales Support for guidance. For textile with pattern, please expect a higher usage for correct pattern fitting. Please contact Sales Support for guidance.



PRODUCT TYPE
Lounge Chair

COLLI
1

ENVIRONMENT
Indoor

DIMENSIONS
H: 120 cm / 47,24"
W: 89 cm / 35,04"
D: 73 cm / 28,7"

PRODUCTION PROCESS
The lounge chair is constructed with a structural frame made of plywood. The seat consists of layered foam (5 layers) in different hardness with webbing/belts underneath. Back and armrests consist of a double foam layer with front part reinforced with foam flex. The base is made of painted MDF.

COLOUR
Seat
Dependent upon selected upholstery

Base
Black (RAL 9005)

GLOSS
Gloss 10-15

MATERIALS
Plywood, HR Foam construction, webbing/belts, foam flex and upholstery

WEIGHT
31,5 kg / 69,45 lb

Cord lenght
350 cm / 137,79"

TEST
N / A

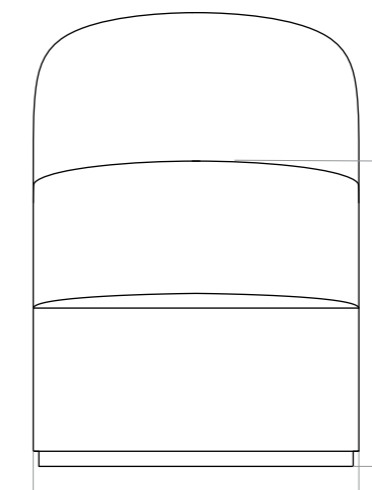
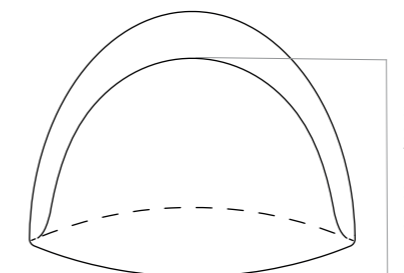
CERTIFICATIONS
TSCA title IV compliant

Declare.

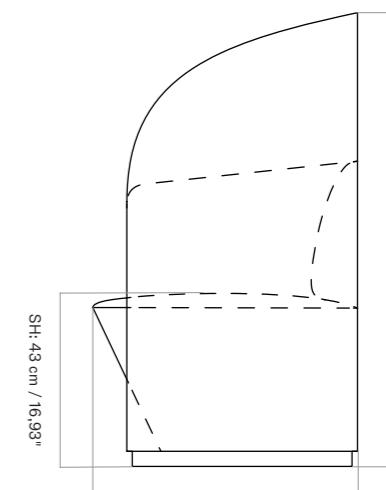
PACKAGING TYPE
Brown box

PACKAGING MEASUREMENTS
(H x W x D)
127 cm x 95 cm x 75 cm /
50" x 37,4" x 29,53"

MATERIALS & MAINTENANCE
Please visit audocph.com for materials, care and maintenance instructions.



W: 89 cm / 35,04"



SH: 43 cm / 16,93"

D: 73 cm / 28,7"

Audo

COPENHAGEN



TEAROOM LOUNGE CHAIR
Designed by *Nick Ross*



TEAROOM LOUNGE CHAIR
Designed by *Nick Ross*

Upholstered lounge chair with black MDF base.

PRODUCT OPTIONS

Seat



WITH UPHOLSTERY

Spec options

Available in fabrics from our upholstery programme. Standard lead times apply.

For custom upholstery, please refer to the guiding textile/leather consumption:
COM: 2,6 m / 2,86 yds

Prices excl. custom upholstery are equal to Price Category 1 Textile or Leather. Contact Sales support for approval of custom upholstery and to place your order.

The above textile consumption is only valid for textile rolls with a width equal to or greater than 140 cm. For smaller textile rolls, please contact Sales Support for guidance. For textile with pattern, please expect a higher usage for correct pattern fitting. Please contact Sales Support for guidance.

PRODUCT TYPE
Lounge chair

COLLI
1

ENVIRONMENT
Indoor

DIMENSIONS
H: 78 cm / 30,7"
SH: 43 cm / 17"
W: 89 cm / 35"
D: 70 cm / 27,6"

PRODUCTION PROCESS
The lounge chair is constructed with a structural frame made of plywood. Seat consists of layered foam (5 layers) in different hardness with webbing/belts underneath. Back and armrests consists of a double foam layer, with front part being reinforced with foam flex. The base is made from painted MDF.

TECHNICAL SPECIFICATIONS

COLOUR
Seat
Dependent upon selected upholstery

Base
Black (RAL 9005)

GLOSS
Gloss 10-15

MATERIALS
Plywood, HR Foam construction, webbing/belts, No-sag springs, foam flex and upholstery

WEIGHT
18 kg / 39,7 lb

TEST
N / A

CERTIFICATIONS
TSCA title IV compliant
Declare.

PACKAGING TYPE
Brown box

PACKAGING MEASUREMENTS
(H x W x D)
80 cm x 92 cm x 72 cm /
31,5" x 36,2" x 28,3"

MATERIALS & MAINTENANCE
Please visit audocph.com for materials, care and maintenance instructions.

