

# Audo

COPENHAGEN



TEAROOM SOFA  
Designed by *Nick Ross*

TEAROOM SOFA  
Designed by *Nick Ross*

Upholstered sofa with Black MDF base.



PRODUCT OPTIONS

*Seat*



WITH UPHOLSTERY

*Spec options*

Available in fabrics from our upholstery programme.  
Standard lead times apply.

For custom upholstery, please refer to the guiding  
textile/leather consumption:  
COM: 4,6 m / 5,06 yds

Prices excl. custom upholstery are equal to *Price Category 1  
Textile or Leather*. Contact Sales support for approval of custom  
upholstery and to place your order.

The above textile consumption is only valid for textile rolls with a width equal to  
or greater than 140 cm. For smaller textile rolls, please contact Sales Support for  
guidance. For textile with pattern, please expect a higher usage for correct pattern  
fitting. Please contact Sales Support for guidance.

TECHNICAL SPECIFICATIONS

PRODUCT TYPE  
Sofa

COLLI  
1

ENVIRONMENT  
Indoor

DIMENSIONS  
H: 78 cm / 30,7"  
SH: 43 cm / 17"  
W: 190 cm / 74,8"  
D: 70 cm / 27,6"

PRODUCTION PROCESS  
The sofa is constructed with a structural  
frame made of plywood. The seat consists  
of layered foam (5 layers) in different  
hardness with webbing/belts and no-sag  
springs underneath. Back and armrests  
consist of a double foam layer with front  
part reinforced with foam flex. The base is  
made of painted MDF.

COLOUR  
*Seat*  
Dependent upon selected upholstery

*Base*  
Black (RAL 9005)

GLOSS  
Gloss 10-15

MATERIALS  
Plywood, HR foam, available with CAL117  
and CMHR construction, webbing / belts,  
no sag springs, foam flex and textile.

WEIGHT  
28 kg / 61,7"

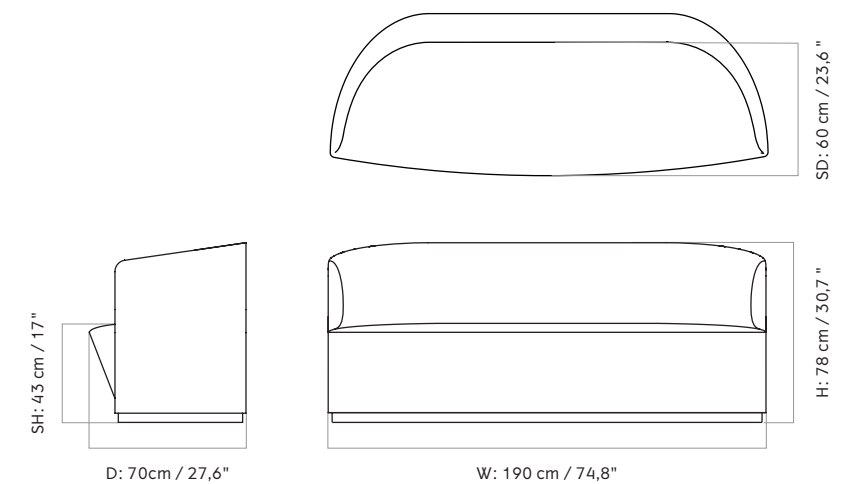
TEST  
N / A

CERTIFICATIONS  
TSCA title IV compliant

PACKAGING TYPE  
Brown box

PACKAGING MEASUREMENTS  
(H × W × D)  
80 cm × 192 cm × 72 cm /  
31,5" × 75,6" × 28,3"

MATERIALS & MAINTENANCE  
Please visit [audocph.com](http://audocph.com) for materials, care  
and maintenance instructions.



TEAROOM SOFA, HIGH BACK  
Designed by *Nick Ross*

The high back version of the Tearoom Sofa offers moments of quiet contemplation in busy spaces. Expressive and elegant, the secluded, foam-filled furniture piece rests on a wooden base for a natural contrast to the upholstered seat.

PRODUCT OPTIONS

*Seat*



WITH UPHOLSTERY

*Spec options*

Available in fabrics from our upholstery programme. Standard lead times apply.

For custom upholstery, please refer to the guiding textile/leather consumption:  
COM: 7,4 m / 8,14 yds

Prices excl. custom upholstery are equal to *Price Category 1 Textile* or *Leather*. Contact Sales support for approval of custom upholstery and to place your order.

The above textile consumption is only valid for textile rolls with a width equal to or greater than 140 cm. For smaller textile rolls, please contact Sales Support for guidance. For textile with pattern, please expect a higher usage for correct pattern fitting. Please contact Sales Support for guidance.

PRODUCT TYPE  
Sofa

COLLI  
1

ENVIRONMENT  
Indoor

DIMENSIONS  
H: 120 cm / 47,24"  
SH: 43 cm / 17"  
W: 190 cm / 74,8"  
D: 70 cm / 27,5"

PRODUCTION PROCESS  
The sofa is constructed with a structural frame made of plywood. The seat consists of layered foam (5 layers) in different hardness with webbing/belts underneath. Back and armrests consist of a double foam layer with front part reinforced with foam flex. The base is made of painted MDF.

TECHNICAL SPECIFICATIONS

COLOUR  
*Seat*  
Dependent upon selected upholstery

*Base*  
Black (RAL 9005)

GLOSS  
Gloss 10-15

MATERIALS  
Plywood, HR Foam construction, webbing/belts, foam flex and upholstery

WEIGHT  
54 kg / 119,05 lb

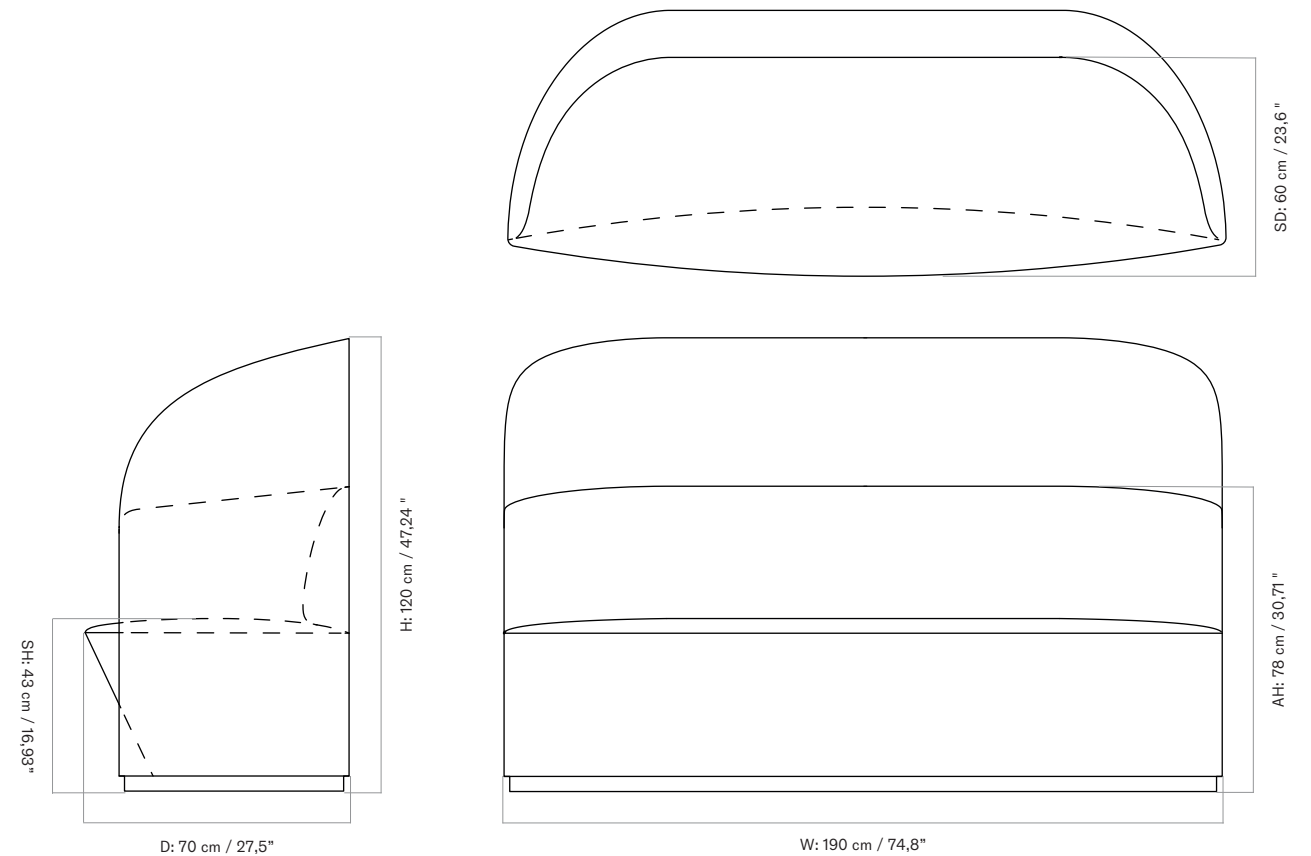
TEST  
N / A

CERTIFICATIONS  
TSCA title IV compliant

PACKAGING TYPE  
Brown box

PACKAGING MEASUREMENTS  
(H x W x D)  
127 cm x 195 cm x 75 cm /  
50" x 76,77" x 29,53"

MATERIALS & MAINTENANCE  
Please visit [audocph.com](http://audocph.com) for materials, care and maintenance instructions.



TEAROOM SOFA, HIGH BACK W/POWER OUTLET  
Designed by *Nick Ross*

The high back version of the Tearoom Sofa offers moments of quiet contemplation in busy spaces. Expressive and elegant, the secluded, foam-filled furniture piece rests on a wooden base for a natural contrast to the upholstered seat. The addition of a USB-C port and power socket at the base makes it a practical spot for work as well as play.

PRODUCT OPTIONS

*Seat*



WITH UPHOLSTERY

*Spec options*

Available in fabrics from our upholstery programme. Standard lead times apply.

For custom upholstery, please refer to the guiding textile/leather consumption:  
COM: 7,4 m / 8,14 yds

Prices excl. custom upholstery are equal to *Price Category 1 Textile* or *Leather*. Contact Sales support for approval of custom upholstery and to place your order.

The above textile consumption is only valid for textile rolls with a width equal to or greater than 140 cm. For smaller textile rolls, please contact Sales Support for guidance. For textile with pattern, please expect a higher usage for correct pattern fitting. Please contact Sales Support for guidance.

PRODUCT TYPE  
Sofa

COLLI  
1

ENVIRONMENT  
Indoor

DIMENSIONS  
H: 120 cm / 47,24"  
SH: 43 cm / 17"  
W: 190 cm / 74,8"  
D: 70 cm / 27,5"

PRODUCTION PROCESS  
The sofa is constructed with a structural frame made of plywood. The seat consists of layered foam (5 layers) in different hardness with webbing/belts underneath. Back and armrests consist of a double foam layer with front part reinforced with foam flex. The base is made of painted MDF.

TECHNICAL SPECIFICATIONS

COLOUR  
*Seat*  
Dependent upon selected upholstery

*Base*  
Black (RAL 9005)

GLOSS  
Gloss 10-15

MATERIALS  
Plywood, HR Foam construction, webbing/belts, foam flex and upholstery

WEIGHT  
54 kg / 119,05 lb

CORD LENGHT  
350 cm / 137,79"

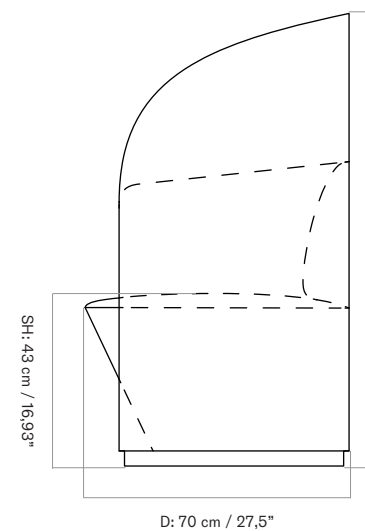
TEST  
N / A

CERTIFICATIONS  
TSCA title IV compliant

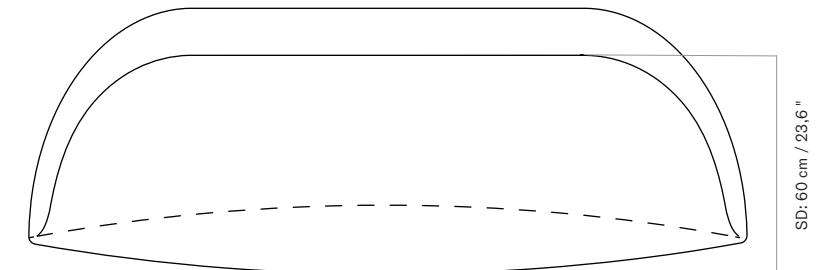
PACKAGING TYPE  
Brown box

PACKAGING MEASUREMENTS  
(H x W x D)  
127 cm x 195 cm x 75 cm /  
50" x 76,77" x 29,53"

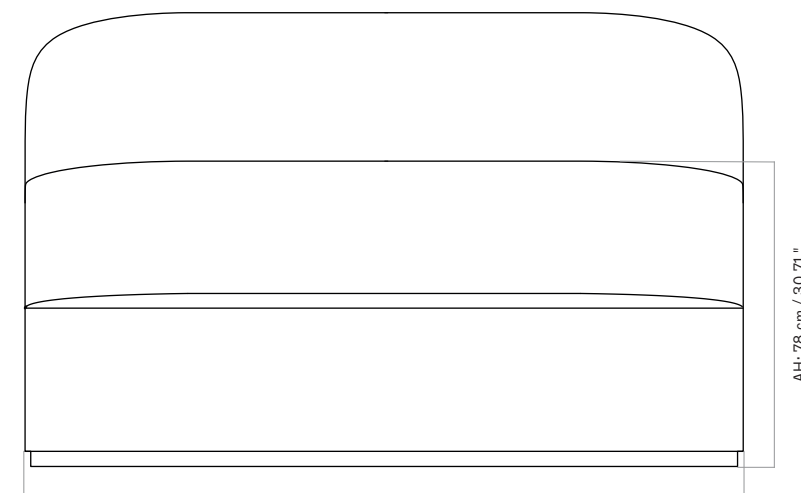
MATERIALS & MAINTENANCE  
Please visit [audocph.com](http://audocph.com) for materials, care and maintenance instructions.



H: 120 cm / 47,24"



SD: 60 cm / 23,6"



AH: 78 cm / 30,71"

W: 190 cm / 74,8"

# Audo

COPENHAGEN



TEAROOM COLLECTION  
Designed by *Nick Ross*



TEAROOM COLLECTION  
Designed by *Nick Ross*

*A practical return-swivel base updates the indulgent Tearoom Collection.*

The Tearoom Collection, designed for Audo by Nick Ross, is a study in minimalist luxury, offering indulgent retreats and mood-lifting comfort for a multitude of settings. Luxurious to sit in and beautiful to look at, the Tearoom Side Chair with a return swivel base is the latest of two new additions that bring added beauty and functional to a space. Considered to the last detail, its open silhouette invites you to sit back and relax while its cocooning curves and richly detailed upholstery ensure a comfortable and supportive sitting position.

Likewise, the wide, low seat, embracing form and upright back of the Tearoom Lounge Chair, Swivel with Return offers beauty, function and comfort in both classic and contemporary spaces – from home living rooms to exclusive hotels to modern workspaces.

Inspired by Charles Rennie Mackintosh's Willow Chair, created between 1902 and 1904 for the Willow Tea Rooms in Glasgow, the contoured designs are made with comfort in mind. Rich upholstery and generous, cocooning curves invite relaxation, while the recessed plinth base fitted with a 190-degree return swivel ensures full freedom of movement – as well as making it easy to sit in and stand up from the chairs. Furthermore, the wood and foam construction creates the ideal pairing of sturdiness and lush comfort.

*"I like to think my work speaks to our need for meaning in the objects around us. I think that storytelling is such an important human trait and adding this into objects can give them added value in some way,"* says Nick Ross on his work as a designer.

*About the designer*

Nick Ross (1986) is a Scottish-Swedish, Stockholm-based designer studied industrial design at Gray's School of Art in Aberdeen, -and was awarded the Arts & Heritage prize for his graduation project, Stray, in 2008. Later on, he enrolling in fine arts Master's program in interior architecture and furniture design at Konstfack in Stockholm, in 2013. Immediately after graduating, he

began working as an assistant to Swedish designer Matti Klenell until establishing his own self-named, Stockholm-based studio in 2014.

Ross is a designer with a penchant for scarce spaces that focus on the use of materials and light in a given expanse. His research centres on the complex repertoire of history, with a particular focus on ancient history, where he finds the factors with which to interpret the relationship between the user and contemporary design. Using storytelling as a pretext and applying a confidently critical approach, Nick is interested in investigating facts and happenings that have determined specific cultural balances. Every project comes from the desire to create ideal or real bridges between the present to that of the past.



TEAROOM COLLECTION  
Designed by *Nick Ross*

PRODUCT TYPE  
Side & lounge chair

ENVIRONMENT  
Indoor

DIMENSIONS

*Side Chair*  
H: 78 cm / 30,7"  
SH: 47 cm / 18,5"  
W: 60 cm / 27,6"  
D: 58 cm / 22,8"

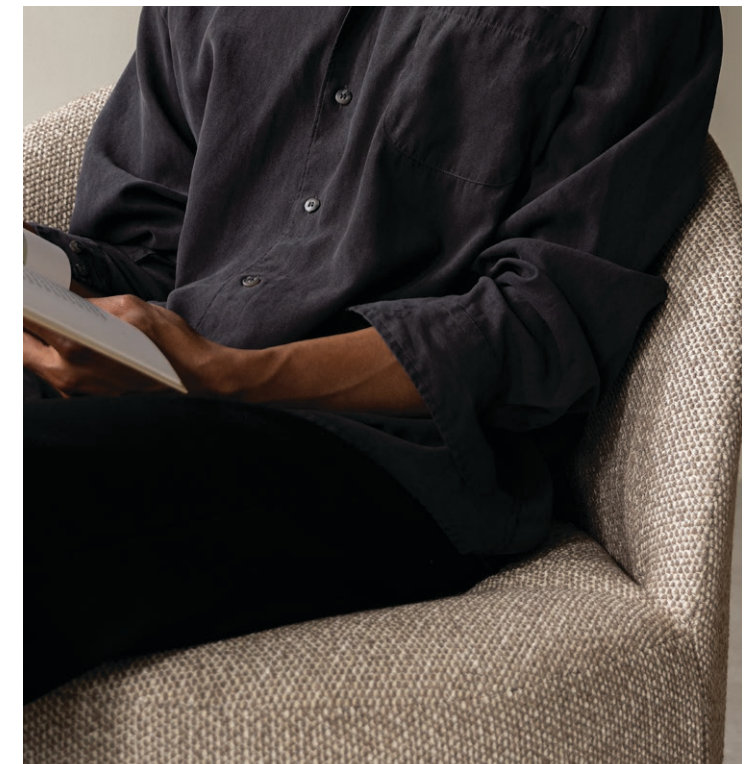
*Lounge Chair*  
H: 78 cm / 30,7"  
SH: 42,5 cm / 16,7"  
W: 72,5 cm / 28,5"  
D: 70 cm / 27,6"

COLOUR

*Seat*  
Dependent upon selected upholstery

*Base*  
Black (RAL 9005)

MATERIALS  
Plywood, HR Foam construction, webbing/  
belts, foam flex and upholstery



## ABOUT DESIGN HOLDING



Design Holding is a global leader in high-end design with a cultural heritage of European origin, characterised by multi-channel distribution and diversified product categories. Guided by the purpose '*We design for a beautiful life*', the Group designs for the planet, people, and culture. The Group includes Flos, B&B Italia, Louis Poulsen, Maxalto, Arclinea, Azucena, FENDI Casa, Menu, by Lassen and Lumens.

Design Holding's catalogue features iconic objects designed by world-famous designers such as Achille and Pier Giacomo Castiglioni, Tobia Scarpa, Luigi Caccia Dominioni, Poul Henningsen, Arne Jacobsen, Antonio Citterio, Gaetano Pesce, Philippe Starck, Piero Lissoni, Konstantin Grcic, Jasper Morrison, Patricia Urquiola, Michael Anastassiades and many others. Design Holding is jointly owned by the global investment firms Investindustrial and Carlyle.

## ABOUT AUDO COPENHAGEN



Audo Copenhagen is a luxury source for high-end design furniture, lighting and accessories reflecting Danish heritage and a contemporary, global outlook.

The brand actively partners with leading architects and interior designers from around the world including Norm Architects, Colin King and Danielle Siggerud and stewards iconic designs including the timeless Kubus collection by architect Mogens Lassen, The Tired Man by Flemming Lassen and the Plinth Collection by Norm Architects.