

SOUTH

Konstantin Grcic

MAGIS

“The word **south** suggests the idea of a sunny, welcoming destination where people can gather and enjoy the outdoors in comfort and style”.

Konstantin Grcic

index

005	south
007	overview
011	gallery
024	technical information
029	materials + upholstery
031	stores

south

Accuracy is the essence of Konstantin Grcic's work, and his new collection, **South**, designed for outdoors but ideal for indoors too, is no different.

In cataphoresis-treated and powder-coated steel tube and wire, it is available in a range of colours: orange, bordeaux, light blue and night blue.

Sinuous yet minimal, the collection consists of an armchair, a low armchair, a bench and a low bench, all with armrests. It also includes four tables (200x120 cm with top in teak slats, 200x90, 160x90 and 90x90 cm with top in steel sheet) and two coffee tables (120x120 cm with top in either teak slats or in lava stone enamelled with recycled coloured glass and 90x90 cm with top in steel sheet). The collection also features woven mattings for the seats, carpets, baskets and a plaid, all in the same outdoor-friendly fabric.

As always, Konstantin Grcic combines formal rigour with a keen sense of design and architecture and demonstrates his passion for technology with careful research into materials and creative yet practical expertise.

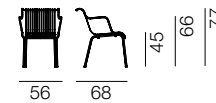
The South collection's curved and inviting lines make explicit its direct and unconventional invitation to relax, resulting in dynamic comfort. To make the seats even more comfortable, a full (seat and backrest) woven matting can be secured to the shell with Velcro, offering a chic and practical alternative to classic cushions.

overview



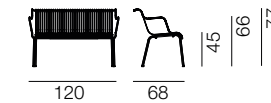
South
armchair

image / p. 10-15, 17



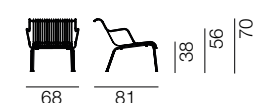
South
bench

image / p. 16



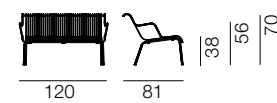
South
low armchair

image / p. 18-23



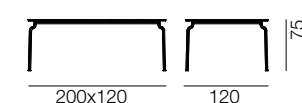
South
low bench

image / p. 18-19, 23



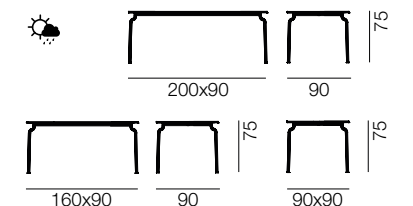
South
table w/ top in teak

image / p. 13, 15



South
table w/ top in steel sheet

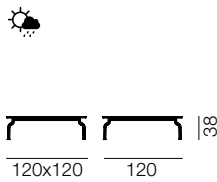
image / p. 10-12





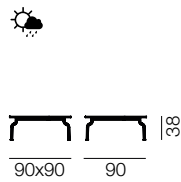
South
low table w/ top in teak or lava stone

image / p. 18-19, 22-23



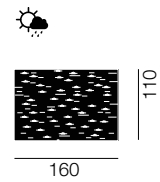
South
low table w/ top in steel sheet

image / p. 21



South
plaid

image / p. 20-21, 23

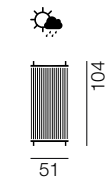
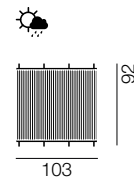


South
woven matting for bench



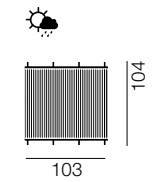
South
woven matting for low armchair

image / p. 18-19, 22-23



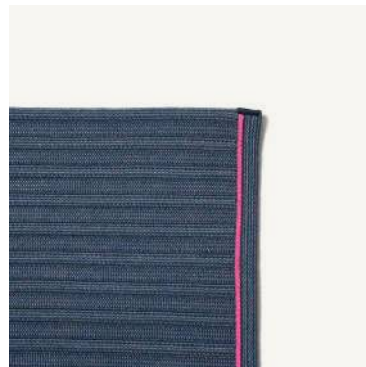
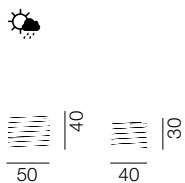
South
woven matting for low bench

image / p. 18-19, 23



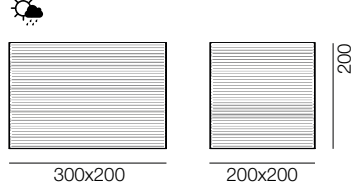
South
basket

image / p. 10, 14, 20, 22-23



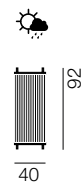
South
carpet

image / p. 10-11, 18-19, 22-23

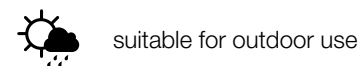


South
woven matting for armchair

image / p. 13

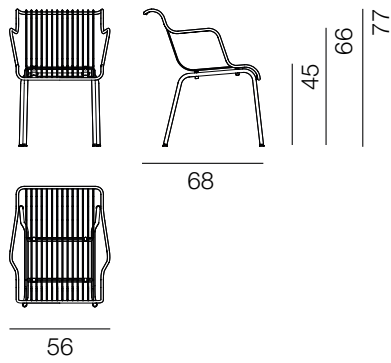


Legend



technical information

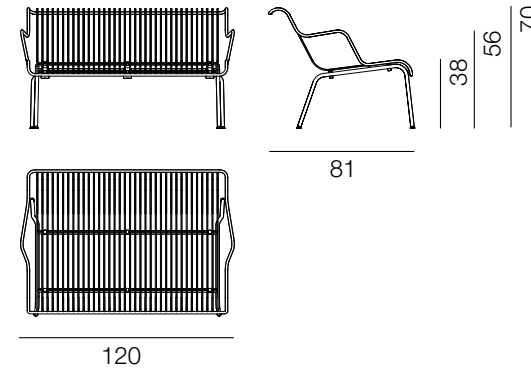
armchair



materials / steel tube and steel wire, cataphoretically treated and painted in polyester powder. Pivoting feet.



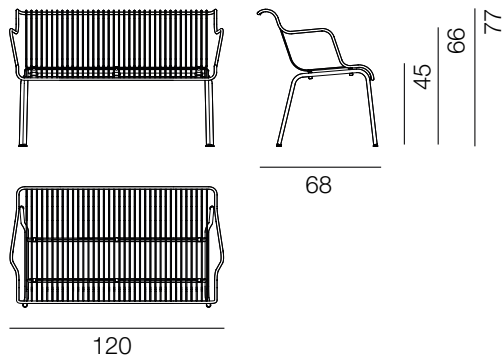
low bench



materials / steel tube and steel wire, cataphoretically treated and painted in polyester powder. Pivoting feet.



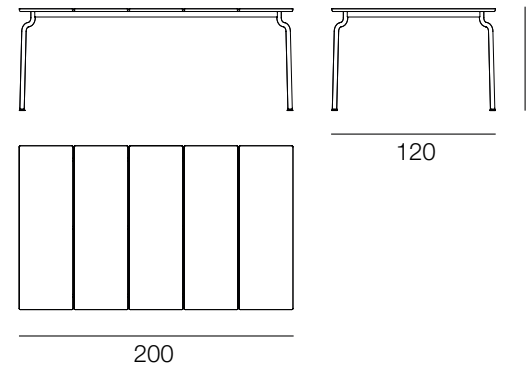
bench



materials / steel tube and steel wire, cataphoretically treated and painted in polyester powder. Pivoting feet.



table 200x120 cm w/ top in teak

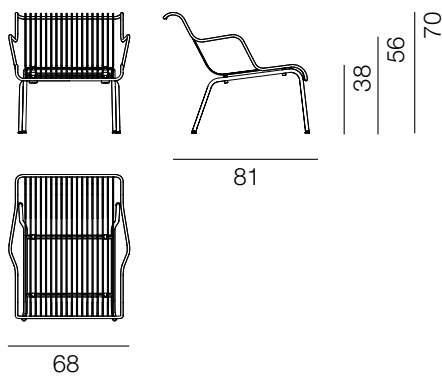


materials / frame in steel tube, cataphoretically treated and painted in polyester powder. Top in teak. Adjustable and pivoting feet.



frame	top	top thickness
		20 mm

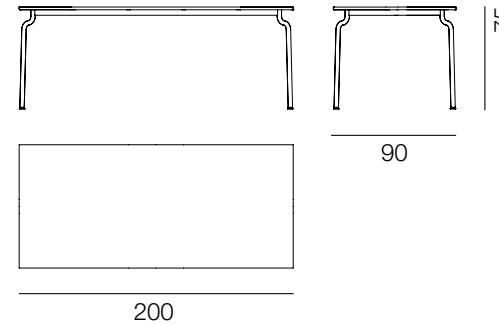
low armchair



materials / steel tube and steel wire, cataphoretically treated and painted in polyester powder. Pivoting feet.



table 200x90 w/ top in steel sheet

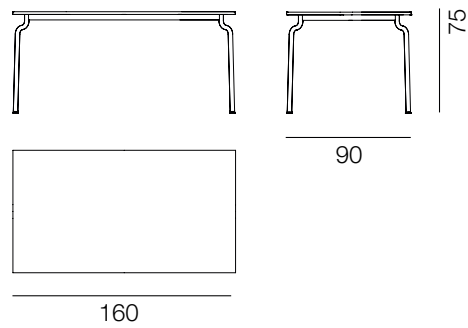


materials / frame in steel tube, cataphoretically treated and painted in polyester powder. Top in steel sheet. Adjustable and pivoting feet.



frame + top	top thickness
	17 mm

table 160x90 w/ top in steel sheet



materials / frame in steel tube, cataphoretically treated and painted in polyester powder. Top in steel sheet. Adjustable and pivoting feet.




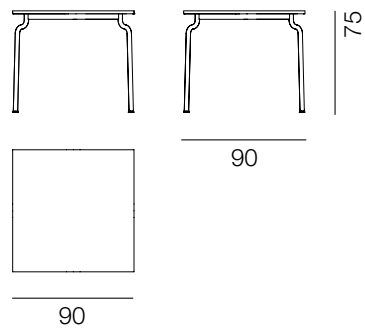

frame + top  **top thickness**
17 mm

table 90x90 w/ top in steel sheet

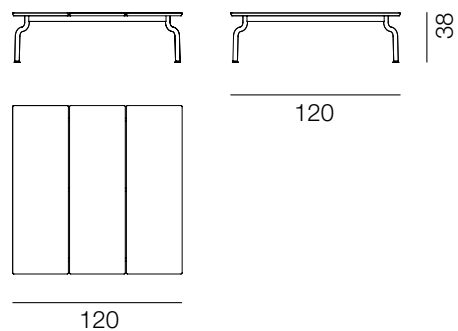


materials / frame in steel tube, cataphoretically treated and painted in polyester powder. Top in steel sheet. Adjustable and pivoting feet.



frame + top  **top thickness**
17 mm

low table w/ top in teak or lava stone

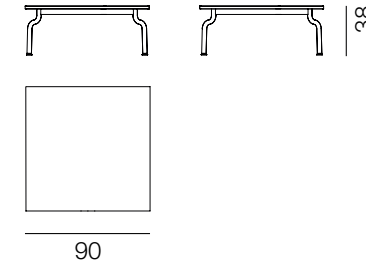


materials / frame in steel tube, cataphoretically treated and painted in polyester powder. Top in teak or lava stone. Adjustable and pivoting feet.




frame  **top**  **top thickness**
20 mm

low table w/ top in steel sheet

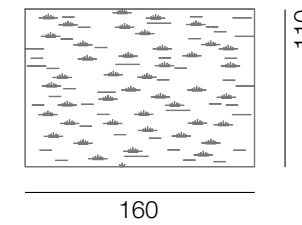


materials / frame in steel tube, cataphoretically treated and painted in polyester powder. Top in steel sheet. Adjustable and pivoting feet.



frame + top  **top thickness**
17 mm

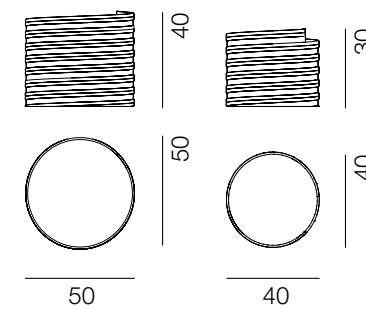
plaid



material / In 100% polyolefin.



baskets

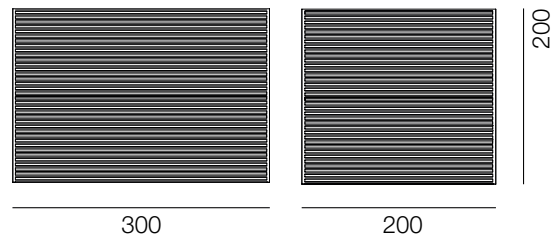


material / In 100% polyolefin.



materials + upholstery

carpets

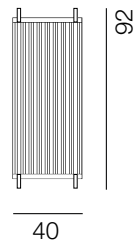


material / In 100% polyolefin.

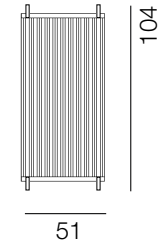


woven mattings

for armchairs



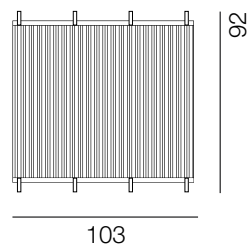
for low armchairs



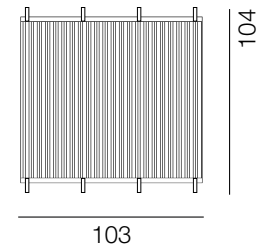
material / In 100% polyolefin.



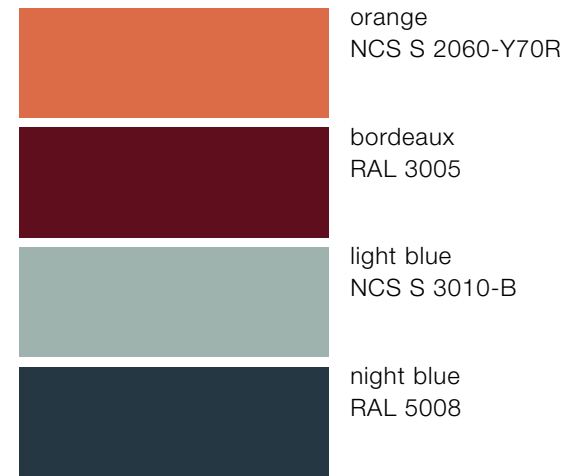
for benches



for low benches



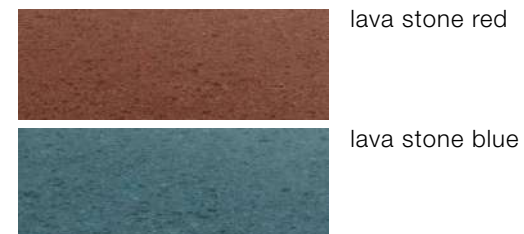
metal



teak



lava stone



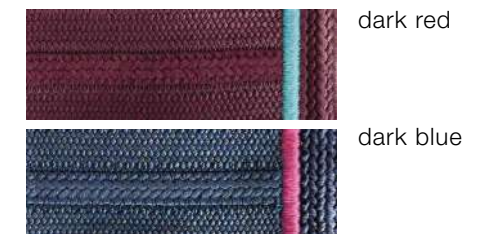
plaids



baskets / woven mattings



carpets



* The finishes shown are indicative and refer to the entire production range. We recommend that you consult the Magis samples box which shows the complete range of finishes. Magis reserves the right to modify the range without warning. Any marks, stains, irregularities or slight changes in color that may be visible are peculiarities of handcrafted or natural materials (fabrics and table tops); and should not be considered defects.*

stores

Headquarter

Magis Spa

via Triestina, Accesso E Z.I. Ponte Tezze
30020 Torre di Mosto Ve - Italia
T +39 0421 319600
info@magisdesign.com
magisdesign.com

Showrooms

Milan

corso Garibaldi, 77
20121 - Italy
T +39 02 62 694 166
milano@magisdesign.com

Paris

264, Blvd. Saint-Germain
75007 - France
T +33 (0)7 88 25 88 73
france@magisdesign.com

Tokyo

1-2-3 Aoyama Building 1F
Kitaoyama Minato-ku
107-0061 - Japan
T +81 3 3405 6050
info@magisjapan.com



credits

all rights reserved

No part of this publication may be reproduced, stored in a retrieval system or transmitted, in any form or by any means, electronic, mechanical, photocopying, recording or otherwise, without the prior permission of Magis Spa.

Magis reserves the right to introduce any changes to its own models, without prior notice.

graphic design

Magis Lab

images

Nudesign

discover more on



@magis_official



magis_official



magisofficial



magis_official

© Magis Spa 2024

